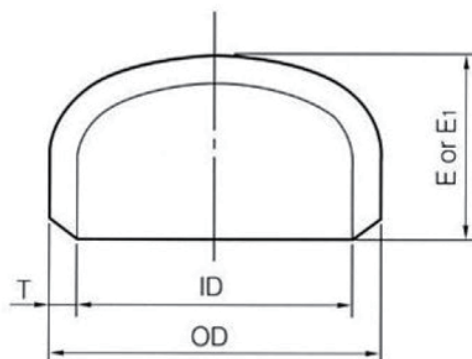


# Stainless Steel Caps

管帽



DIMENSIONS							(unit: mm)
Nominal Pipe Size (NPS)	Outside Dia. (OD)	Wall Thickness (T)				Length E	
		Sch. 5S	Sch. 10S	Sch. 40S	Sch. 80S		
1/2	21.336	1.651	2.108	2.769	3.734	25.400	
3/4	26.670	1.651	2.108	2.870	3.912	25.400	
1	33.401	1.651	2.769	3.378	4.547	38.100	
1 1/4	42.164	1.651	2.769	3.556	4.851	38.100	
1 1/2	48.260	1.651	2.769	3.683	5.080	38.100	
2	60.325	1.651	2.769	3.912	5.537	38.100	
2 1/2	73.025	2.108	3.048	5.156	7.010	38.100	
3	88.900	2.108	3.048	5.486	7.620	50.800	
3 1/2	101.600	2.108	3.048	5.740	8.077	63.500	
4	114.300	2.108	3.048	6.020	8.560	63.500	
5	141.300	2.769	3.404	6.553	9.525	76.200	
6	168.275	2.769	3.404	7.112	10.973	88.900	
8	219.075	2.769	3.759	8.179	12.700	101.600	
10	273.050	3.404	4.191	9.525	12.700	127.000	
12	323.850	3.962	4.572	9.525	12.700	152.400	
14	355.600		4.775	9.525	12.700	165.100	
16	406.400		4.775	9.525	12.700	177.800	
18	457.200		4.775	9.525	12.700	203.200	
20	508.000		5.537	9.525	12.700	228.600	
24	609.600		6.350	9.525	12.700	266.700	

WEIGHTS					(unit: kg)
Nominal Pipe Size (NPS)	Sch. 5S	Sch. 10S	Sch. 40S	Sch. 80S	
1/2	0.022	0.030	0.040	0.050	
3/4	0.027	0.033	0.047	0.066	
1	0.053	0.088	0.110	0.140	
1 1/4	0.066	0.110	0.140	0.193	
1 1/2	0.076	0.127	0.170	0.234	
2	0.099	0.170	0.234	0.330	
2 1/2	0.169	0.232	0.391	0.529	
3	0.253	0.369	0.660	0.917	
3 1/2	0.341	0.520	1.010	1.100	
4	0.409	0.594	1.200	1.650	
5	0.805	1.000	1.900	2.780	
6	1.111	1.391	2.801	4.501	
8	1.741	2.382	5.201	8.052	
10	3.264	4.143	9.105	12.490	
12	5.472	6.395	13.300	17.590	
14		8.001	15.997	21.215	
16		10.000	20.010	26.700	
18		12.800	25.600	34.100	
20		18.543	31.900	43.010	
24		30.123	45.100	60.100	