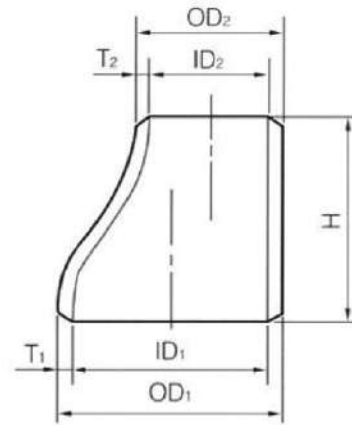


Eccentric Reducers

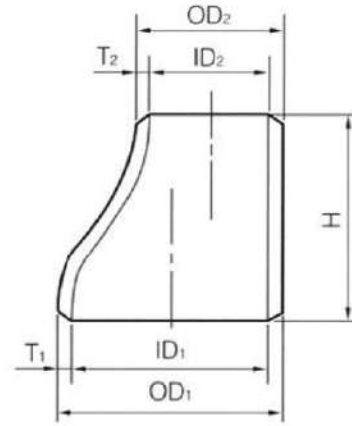
偏心大小頭



DIMENSIONS											(unit: mm)	WEIGHTS					(unit: kg)
Nominal Pipe Size (NPS)	Outside Dia. (OD1)	Outside Dia. (OD2)	Wall Thickness (T)								Length H	Nominal Pipe Size (NPS)	Sch. 5S	Sch. 10S	Sch. 40S	Sch. 80S	
			Sch. 5S		Sch. 10S		Std. 40S		Sch. 80S								
			T1	T2	T1	T2	T1	T2	T1	T2							
3/4X1/2	26.670	21.336	1.651	1.651	2.108	2.108	2.870	2.769	3.912	3.734	38.100	3/4X1/2	0.034	0.043	0.060	0.075	
1X1/2	33.401	21.336	1.651	1.651	2.769	2.108	3.378	2.769	4.547	3.734	50.800	1X1/2	0.060	0.086	0.110	0.133	
1X3/4	33.401	26.670	1.651	1.651	2.769	2.108	3.378	2.870	4.547	3.912	50.800	1X3/4	0.060	0.095	0.120	0.145	
1 1/4X1	42.164	33.401	1.651	1.651	2.769	2.769	3.556	3.378	4.851	4.547	50.800	1 1/4X1	0.066	0.122	0.157	0.206	
1 1/2X1/2	48.260	21.336	1.651	1.651	2.769	2.108	3.683	2.769	5.080	3.734	63.500	1 1/2X1/2	0.090	0.142	0.183	0.242	
1 1/2X3/4	48.260	26.670	1.651	1.651	2.769	2.108	3.683	2.870	5.080	3.912	63.500	1 1/2X3/4	0.095	0.153	0.203	0.266	
1 1/2X1	48.387	33.401	1.651	1.651	2.769	2.769	3.683	3.378	5.080	4.547	63.500	1 1/2X1	0.103	0.165	0.219	0.290	
1 1/2X1 1/4	48.260	42.164	1.651	1.651	2.769	2.769	3.683	3.556	5.080	4.851	63.500	1 1/2X1 1/4	0.115	0.184	0.243	0.324	
2X3/4	60.325	26.670	1.651	1.651	2.769	2.108	3.912	2.870	5.537	3.912	76.200	2X3/4	0.120	0.215	0.300	0.410	
2X1	60.325	33.401	2.108	1.651	2.769	2.769	3.912	3.378	5.537	4.547	76.200	2X1	0.143	0.233	0.322	0.438	
2X1 1/4	60.325	42.164	2.108	1.651	2.769	2.769	3.912	3.556	5.537	4.851	76.200	2X1 1/4	0.156	0.254	0.352	0.478	
2X1 1/2	60.325	48.260	2.108	1.651	2.769	2.769	3.912	3.683	5.537	5.080	76.200	2X1 1/2	0.164	0.269	0.372	0.508	
2 1/2X1	73.025	33.401	2.108	1.651	3.048	2.769	5.156	3.378	7.010	4.547	88.900	2 1/2X1	0.256	0.370	0.630	0.790	
2 1/2X1 1/4	73.025	42.164	2.108	1.651	3.048	2.769	5.156	3.556	7.010	4.851	88.900	2 1/2X1 1/4	0.276	0.370	0.630	0.789	
2 1/2X1 1/2	73.025	48.260	2.108	1.651	3.048	2.769	5.156	3.683	7.010	5.080	88.900	2 1/2X1 1/2	0.281	0.385	0.660	0.831	
2 1/2X2	73.025	60.325	2.108	1.651	3.048	2.769	5.156	3.912	7.010	5.537	88.900	2 1/2X2	0.307	0.426	0.724	0.919	
3X1	88.900	33.401	2.108	1.651	3.048	2.769	5.486	3.378	7.620	4.547	88.900	3X1	0.281	0.408	0.716	0.888	
3X1 1/4	88.900	42.164	2.108	1.651	3.048	2.769	5.486	3.556	7.620	4.851	88.900	3X1 1/4	0.300	0.431	0.753	0.956	
3X1 1/2	88.900	48.260	2.108	1.651	3.048	2.769	5.486	3.683	7.620	5.080	88.900	3X1 1/2	0.315	0.449	0.783	1.041	
3X2	88.900	60.325	2.108	1.651	3.048	2.769	5.486	3.912	7.620	5.537	88.900	3X2	0.339	0.484	0.846	1.132	
3X2 1/2	88.900	73.025	2.108	2.108	3.048	2.769	5.486	5.156	7.620	7.010	88.900	3X2 1/2	0.376	0.522	0.932	1.233	
4X1 1/2	114.300	48.260	2.108	1.651	3.048	2.769	6.020	3.683	8.560	5.080	101.600	4X1 1/2	0.435	0.630	1.181	1.630	
4X2	114.300	60.325	2.108	1.651	3.048	2.769	6.020	3.912	8.560	5.537	101.600	4X2	0.464	0.665	1.273	1.764	
4X2 1/2	114.300	73.025	2.108	2.108	3.048	3.048	6.020	5.156	8.560	7.010	101.600	4X2 1/2	0.500	0.706	1.369	1.863	
4X3	114.300	88.900	2.108	2.108	3.048	3.048	6.020	5.486	8.560	7.620	101.600	4X3	0.528	0.758	1.450	2.021	

Eccentric Reducers

偏心大小頭

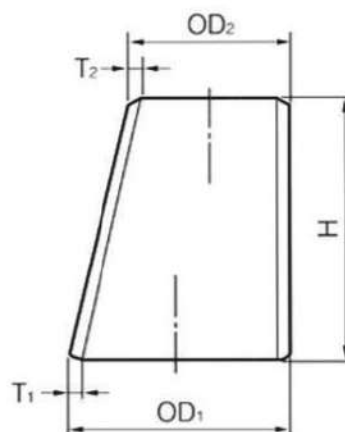


DIMENSIONS											(unit: mm)
Nominal Pipe Size (NPS)	Outside Dia. (OD1)	Outside Dia. (OD2)	Wall Thickness (T)								Length H
			Sch. 5S		Sch. 10S		Std.40S		Sch. 80S		
			T1	T2	T1	T2	T1	T2	T1	T2	
5X3	141.300	88.900	2.769	2.108	3.404	3.048	6.553	5.486	9.525	7.620	127.000
5X4	141.300	114.300	2.769	2.108	3.404	3.048	6.553	6.020	9.525	8.560	127.000
6X2 1/2	168.275	73.025	2.769	2.108	3.404	3.048	7.112	5.156	10.973	7.010	139.700
6X3	168.275	88.900	2.769	2.108	3.404	3.048	7.112	5.486	10.973	7.620	139.700
6X4	168.275	114.300	2.769	2.108	3.404	3.048	7.112	6.020	10.973	8.560	139.700
6X5	168.275	141.300	2.769	2.769	3.404	3.404	7.112	6.553	10.973	9.525	139.700
8X4	219.075	114.300	2.769	2.108	3.759	3.048	8.179	6.020	12.700	8.560	152.400
8X5	219.075	141.300	2.769	2.769	3.759	3.404	8.179	6.553	12.700	9.525	152.400
8X6	219.075	168.275	2.769	2.769	3.759	3.404	8.179	7.112	12.700	10.973	152.400
10X5	273.050	141.300	3.404	2.769	4.191	3.404	9.271	6.553	12.700	9.525	177.800
10X6	273.050	168.275	3.404	2.769	4.191	3.404	9.271	7.112	12.700	10.973	177.800
10X8	273.050	219.075	3.404	2.769	4.191	3.759	9.271	8.179	12.700	12.700	177.800
12X6	323.850	168.275	3.962	2.769	4.572	3.404	9.525	7.112	12.700	10.973	203.200
12X8	323.850	219.075	3.962	2.769	4.572	3.759	9.525	8.179	12.700	12.700	203.200
12X10	323.850	273.050	3.962	3.404	4.572	4.191	9.525	9.271	12.700	12.700	203.200

WEIGHTS					(unit: kg)
Nominal Pipe Size (NPS)	Sch. 5S	Sch. 10S	Sch. 40S	Sch. 80S	
5X3	0.991	1.221	2.269	3.185	
5X4	1.107	1.334	2.500	3.523	
6X2 1/2	1.116	1.351	2.741	4.512	
6X3	1.243	1.532	3.040	4.558	
6X4	1.342	1.653	3.300	4.957	
6X5	1.450	1.780	3.570	5.400	
8X4	1.800	2.434	5.100	7.700	
8X5	1.901	2.573	5.405	8.142	
8X6	2.012	2.722	5.710	8.635	
10X5	2.823	3.979	8.423	11.340	
10X6	3.304	4.142	8.780	11.821	
10X8	3.591	4.490	9.580	12.899	
12X6	4.969	5.921	11.802	16.010	
12X8	5.456	6.312	12.700	16.700	
12X10	5.833	6.781	13.606	18.000	

Eccentric Reducers

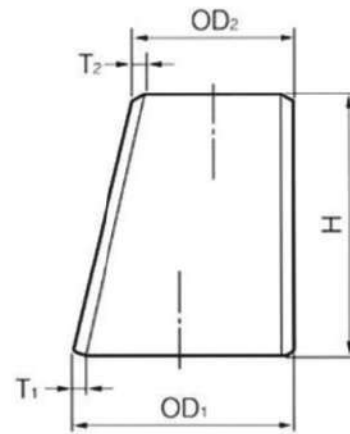
偏心大小頭 - 2



DIMENSIONS (unit: mm)													WEIGHTS (unit: kg)					
Nominal Pipe Size (NPS)	Outside Dia. (OD1)	Outside Dia. (OD2)	Wall Thickness (T)										Length H	Nominal Pipe Size (NPS)	Wall Thickness			
			Sch. 10S		Sch. 20S		Std.		XS		Sch. 10s	Sch. 20s			Std	XS		
			T1	T2	T1	T2	T1	T2	T1	T2								
14	12	355.600	323.850	4.775	4.572	7.925	6.350	9.525	9.525	12.700	12.700	330.200	14	12	13.000	21.100	25.400	33.600
14	10	355.600	273.050	4.775	4.191	7.925	6.350	9.525	9.271	12.700	12.700	330.200	14	10	12.100	20.000	23.600	31.200
14	8	355.600	219.075	4.775	3.759	7.925	6.350	9.525	8.179	12.700	12.700	330.200	14	8	11.200	18.100	21.800	28.900
14	6	355.600	168.275	4.775	3.404	7.925	-	9.525	7.112	12.700	12.700	330.200	14	6	11.000	16.800	20.200	26.600
16	14	406.400	355.600	4.775	4.775	7.925	7.925	9.525	9.525	12.700	12.700	355.600	16	14	15.800	25.800	31.000	41.100
16	12	406.400	323.850	4.775	4.572	7.925	6.350	9.525	9.525	12.700	12.700	355.600	16	12	15.200	24.600	30.000	39.135
16	10	406.400	273.050	4.775	4.191	7.925	6.350	9.525	9.271	12.700	12.700	355.600	16	10	14.400	23.210	27.800	36.800
16	8	406.400	219.075	4.775	3.759	7.925	6.350	9.525	8.179	12.700	12.700	355.600	16	8	14.100	21.800	26.200	34.400
18	16	457.200	406.400	4.775	4.775	7.925	7.925	9.525	9.525	12.700	12.700	381.000	18	16	19.200	31.400	37.800	50.100
18	14	457.200	355.600	4.775	4.775	7.925	7.925	9.525	9.525	12.700	12.700	381.000	18	14	18.200	29.700	35.700	47.400
18	12	457.200	323.850	4.775	4.572	7.925	6.350	9.525	9.525	12.700	12.700	381.000	18	12	17.620	28.500	34.300	45.500
18	10	457.200	273.050	4.775	4.191	7.925	6.350	9.525	9.271	12.700	12.700	381.000	18	10	17.010	27.200	33.020	43.100
20	18	508.000	457.200	5.537	4.775	9.525	7.925	9.525	9.525	12.700	12.700	508.000	20	18	33.100	56.400	56.400	75.110
20	16	508.000	406.400	5.537	4.775	9.525	7.925	9.525	9.525	12.700	12.700	508.000	20	16	31.700	53.500	53.500	71.100
20	14	508.000	355.600	5.537	4.775	9.525	7.925	9.525	9.525	12.700	12.700	508.000	20	14	30.000	50.800	50.800	67.400
20	12	508.000	323.850	5.537	4.572	9.525	6.350	9.525	9.525	12.700	12.700	508.000	20	12	28.000	48.001	48.001	63.700
22	20	558.800	508.000	5.537	5.537	9.525	9.525	9.525	9.525	12.700	12.700	508.000	22	20	36.600	62.600	62.600	83.001
22	18	558.800	457.200	5.537	4.775	9.525	7.925	9.525	9.525	12.700	12.700	508.000	22	18	35.000	60.412	60.412	79.200
22	16	558.800	406.400	5.537	4.775	9.525	7.925	9.525	9.525	12.700	12.700	508.000	22	16	33.400	57.100	57.100	75.600
22	14	558.800	355.600	5.537	4.775	9.525	7.925	9.525	9.525	12.700	12.700	508.000	22	14	31.800	54.500	54.500	72.000
24	22	609.600	558.800	6.350	5.537	9.525	9.525	9.525	9.525	12.700	12.700	508.000	24	22	46.000	68.600	68.600	91.000
24	20	609.600	508.000	6.350	5.537	9.525	9.525	9.525	9.525	12.700	12.700	508.000	24	20	44.000	65.700	65.700	87.300
24	18	609.600	457.200	6.350	4.775	9.525	7.925	9.525	9.525	12.700	12.700	508.000	24	18	42.400	63.000	63.000	83.700
24	16	609.600	406.400	6.350	4.775	9.525	7.925	9.525	9.525	12.700	12.700	508.000	24	16	40.700	60.300	60.300	80.100
24	14	609.600	355.600	6.350	4.775	9.525	7.925	9.525	9.525	12.700	12.700	508.000	24	14	39.000	57.612	58.413	76.500

Eccentric Reducers

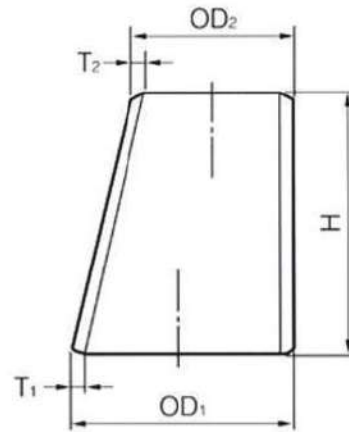
偏心大小頭 - 3



DIMENSIONS (unit: mm)												WEIGHTS (unit: kg)						
Nominal Pipe Size (NPS)	Outside Dia. (OD1)	Outside Dia. (OD2)	Wall Thickness								Length H	Nominal Pipe Size (NPS)	Wall Thickness					
			Sch. 10S		Sch. 20S		Std.		XS				Sch. 10s	Sch. 20s	Std	XS		
			T1	T2	T1	T2	T1	T2	T1	T2								
26	24	660.400	609.600			12.700	9.525	9.525	9.525	12.700	12.700	609.600	26	24		128.280	98.530	128.030
26	20	660.400	508.000			12.700	9.525	9.525	9.525	12.700	12.700	609.600	26	20		118.020	90.650	118.000
26	18	660.400	457.200			12.700	7.925	9.525	9.525	12.700	12.700	609.600	26	18		112.880	86.700	112.660
26	16	660.400	406.400			12.700	7.925	9.525	9.525	12.700	12.700	609.600	26	16		107.760	82.760	107.540
28	26	711.200	660.400			12.700	12.700	9.525	9.525	12.700	12.700	609.600	28	26		138.540	106.410	138.270
28	24	711.200	609.600			12.700	9.525	9.525	9.525	12.700	12.700	609.600	28	24		133.410	102.470	133.150
28	20	711.200	508.000			12.700	9.525	9.525	9.525	12.700	12.700	609.600	28	20		123.150	94.590	122.910
28	18	711.200	457.200			12.700	7.925	9.525	9.525	12.700	12.700	609.600	28	18		118.020	90.650	117.780
30	28	762.000	711.200			12.700	12.700	9.525	9.525	12.700	12.700	609.600	30	28		148.800	114.290	148.510
30	26	762.000	660.400			12.700	12.700	9.525	9.525	12.700	12.700	609.600	30	26		143.670	110.350	143.390
30	24	762.000	609.600			12.700	9.525	9.525	9.525	12.700	12.700	609.600	30	24		138.540	106.410	138.270
30	20	762.000	508.000			12.700	9.525	9.525	9.525	12.700	12.700	609.600	30	20		128.280	98.530	128.030
32	30	812.800	762.000			12.700	12.700	9.525	9.525	12.700	12.700	609.600	32	30		160.010	122.170	158.750
32	28	812.800	711.200			12.700	12.700	9.525	9.525	12.700	12.700	609.600	32	28		153.930	118.230	153.630
32	26	812.800	660.400			12.700	12.700	9.525	9.525	12.700	12.700	609.600	32	26		148.800	114.290	148.510
32	24	812.800	609.600			12.700	9.525	9.525	9.525	12.700	12.700	609.600	32	24		143.670	110.400	143.390
34	32	863.600	812.800			12.700	12.700	9.525	9.525	12.700	12.700	609.600	34	32		169.330	130.060	168.990
34	30	863.600	762.000			12.700	12.700	9.525	9.525	12.700	12.700	609.600	34	30		164.200	126.120	163.880
34	28	863.600	711.200			12.700	12.700	9.525	9.525	12.700	12.700	609.600	34	28		159.050	122.170	158.750
34	26	863.600	660.400			12.700	12.700	9.525	9.525	12.700	12.700	609.600	34	26		153.930	118.510	153.630
36	34	914.400	863.600			12.700	12.700	9.525	9.525	12.700	12.700	609.600	36	34		148.800	138.000	179.240
36	32	914.400	812.800			12.700	12.700	9.525	9.525	12.700	12.700	609.600	36	32		143.670	133.990	174.120
36	30	914.400	762.000			12.700	12.700	9.525	9.525	12.700	12.700	609.600	36	30		169.330	130.060	168.990
36	28	914.400	711.200			12.700	12.700	9.525	9.525	12.700	12.700	609.600	36	28		164.200	126.120	163.880

Eccentric Reducers

偏心大小頭 - 3



DIMENSIONS											(unit: mm)				
Nominal Pipe Size (NPS)	Outside Dia. (OD1)	Outside Dia. (OD2)	Wall Thickness								Length H				
			Sch. 10S		Sch. 20S		Std.		XS						
			T1	T2	T1	T2	T1	T2	T1	T2					
38	36	965.200	914.400					9.525	9.525	12.700	12.700	609.600			
38	34	965.200	863.600					9.525	9.525	12.700	12.700	609.600			
38	32	965.200	812.800					9.525	9.525	12.700	12.700	609.600			
38	30	965.200	762.000					9.525	9.525	12.700	12.700	609.600			
38	28	965.200	711.200					9.525	9.525	12.700	12.700	609.600			
38	26	965.200	660.400					9.525	9.525	12.700	12.700	609.600			
40	38	1016.000	965.200					9.525	9.525	12.700	12.700	609.600			
40	34	1016.000	863.600					9.525	9.525	12.700	12.700	609.600			
40	36	1016.000	914.400					9.525	9.525	12.700	12.700	609.600			
40	32	1016.000	812.800					9.525	9.525	12.700	12.700	609.600			
40	30	1016.000	762.000					9.525	9.525	12.700	12.700	609.600			

WEIGHTS					(unit: kg)			
Nominal Pipe Size (NPS)	Sch. 10s	Sch. 20s	Std	XS	Wall Thickness			
					Sch. 10s	Sch. 20s	Std	XS
38	36		159.050	145.820	189.480			
38	34		153.930	141.880	184.360			
38	32		179.600	137.940	179.240			
38	30		147.460	133.990	174.120			
38	28		169.330	130.060	169.010			
38	26		164.200	126.120	163.880			
40	38			153.700	199.720			
40	36			149.760	194.600			
40	34			145.820	189.460			
40	32			141.880	184.360			
40	30			137.940	179.240			