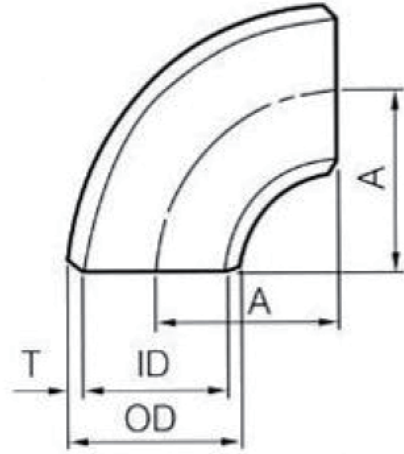


Long Radius Elbows

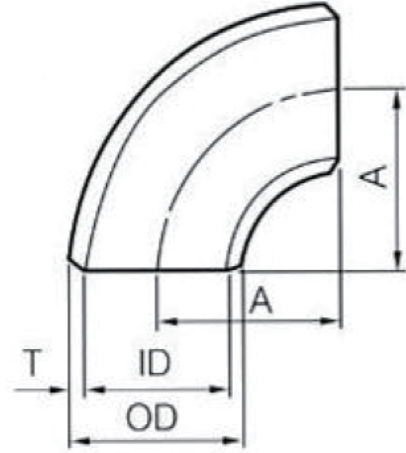
90° 長徑彎頭



DIMENSIONS (unit: mm)							WEIGHTS (unit: kg)				
Nominal Pipe Size (NPS)	Outside Dia. (OD)	Wall Thickness (T)				Center to END A	Nominal Pipe Size (NPS)	Sch. 5S	Sch. 10S	Sch. 40S	Sch. 80S
		Sch. 5S	Sch. 10S	Sch. 40S	Sch. 80S						
1/2	21.336	1.651	2.108	2.769	3.734	38.100	1/2	0.049	0.061	0.075	0.097
3/4	26.670	1.651	2.108	2.870	3.912	28.450	3/4	0.062	0.057	0.075	0.097
1	33.401	1.651	2.769	3.378	4.547	38.100	1	0.078	0.156	0.160	0.193
1 1/4	42.164	1.651	2.769	3.556	4.851	47.752	1.1/4	0.125	0.200	0.253	0.334
1 1/2	48.260	1.651	2.769	3.683	5.080	57.150	1.1/2	0.170	0.280	0.363	0.485
2	60.325	1.651	2.769	3.912	5.537	76.200	2	0.286	0.470	0.650	0.894
2 1/2	73.025	2.108	3.048	5.156	7.010	95.250	2.1/2	0.576	0.786	1.290	1.700
3	88.900	2.108	3.048	5.486	7.620	114.300	3	0.810	1.160	2.020	2.740
3 1/2	101.600	2.108	3.048	5.740	8.077	133.350	3.1/2	1.080	1.530	2.840	3.900
4	114.300	2.108	3.048	6.020	8.560	152.400	4	1.390	2.000	3.840	5.340
5	141.300	2.769	3.404	6.553	9.525	190.500	5	2.830	3.420	6.510	9.250
6	168.275	2.769	3.404	7.112	10.973	228.600	6	4.030	4.960	10.000	15.300
8	219.075	2.769	3.759	8.179	12.700	304.800	8	7.060	9.550	20.300	31.000
10	273.050	3.404	4.111	9.271	12.700	381.000	10	13.200	16.600	36.000	48.500
12	323.850	3.962	4.572	9.525	12.700	457.200	12	22.300	25.800	53.000	69.900

Long Radius Elbows

90° 長徑彎頭 - 2

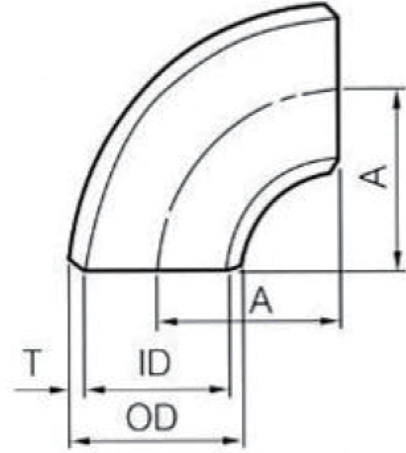


DIMENSIONS						(unit: mm)	WEIGHTS					(unit: kg)
Nominal Pipe Size (NPS)	Outside Dia. (OD)	Wall Thickness (T)				Center to END A	Nominal Pipe Size (NPS)	Sch. 10S	Sch. 20S	Std	XS	
		Sch. 10S	Sch. 20S	Std	XS							
14	355.600	4.775	7.925	9.525	12.700	533.400	14	34.500	56.500	67.900	89.900	
16	406.400	4.775	7.925	9.525	12.700	609.600	16	45.000	74.300	89.000	118.000	
18	457.200	4.775	7.925	9.525	12.700	685.800	18	57.300	94.000	113.000	150.000	
20	508.000	5.537	9.525	9.525	12.700	762.000	20	82.000	140.000	140.000	185.000	
22	558.800	5.537	9.525	9.525	12.700	838.200	22	99.400	170.000	170.000	225.000	
24	609.600	6.350	9.525	9.525	12.700	914.400	24	136.000	202.000	202.000	268.000	
26	660.400	7.925	12.700	9.525	12.700	990.600	26	198.000	315.000	238.000	315.000	
28	711.200	7.925	12.700	9.525	12.700	1066.800	28	230.000	366.000	276.000	366.000	
30	762.200	7.925	12.700	9.525	12.700	1143.000	30	264.000	421.000	317.000	420.000	
32	812.800	7.925	12.700	9.525	12.700	1219.200	32	301.000	479.000	360.000	479.000	
34	863.600	7.925	12.700	9.525	12.700	1295.400	34	339.000	542.000	408.000	542.000	
36	914.400	7.925	12.700	9.525	12.700	1371.600	36	381.000	608.000	457.000	608.000	
38	965.200	7.925		9.525	12.700	1447.800	38	425.000		510.000	678.000	
40	1016.000	7.925		9.525	12.700	1524.000	40	471.000		565.000	750.000	



Short Radius Elbow

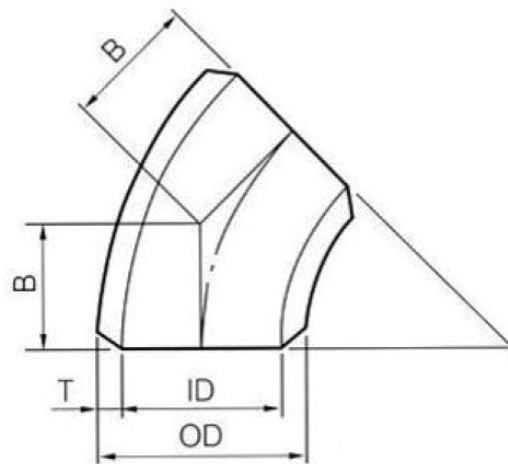
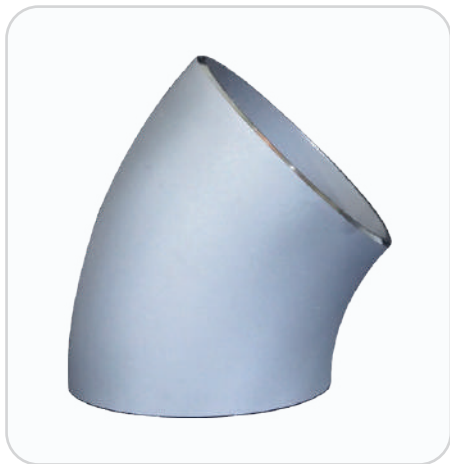
90° 短徑彎頭



DIMENSIONS							(unit: mm)				
Nominal Pipe Size (NPS)	Outside Dia. (OD)	Wall Thickness (T)				Center to END A	WEIGHTS				
		Sch. 5S	Sch. 10S	Sch. 40S	Sch. 80S		Nominal Pipe Size (NPS)	Sch. 5S	Sch. 10S	Sch. 40S	Sch. 80S
1	33.401	1.651	2.769	3.378	4.547	25.400	1	0.077	0.082	0.100	0.122
1 1/4	42.164	1.651	2.769	3.556	4.851	31.750	1 1/4	0.100	0.134	0.165	0.217
1 1/2	48.260	1.651	2.769	3.683	5.080	38.100	1 1/2	0.114	0.186	0.240	0.323
2	60.325	1.651	2.769	3.912	5.537	50.800	2	0.190	0.313	0.434	0.595
2 1/2	73.025	2.108	3.048	5.156	7.010	63.500	2 1/2	0.383	0.524	0.860	1.141
3	88.900	2.108	3.048	5.486	7.620	76.200	3	0.540	0.772	1.351	1.830
3 1/2	101.600	2.108	3.048	5.740	8.077	88.900	3 1/2	0.719	1.030	1.892	2.600
4	114.300	2.108	3.048	6.020	8.560	101.600	4	0.928	1.330	2.560	3.560
5	141.300	2.769	3.404	6.553	9.525	127.000	5	1.890	2.300	4.340	6.150
6	168.275	2.769	3.404	7.112	10.973	152.400	6	2.680	3.300	6.750	10.100
8	219.075	2.769	3.759	8.179	12.700	203.200	8	4.700	6.350	13.500	20.500
10	273.050	3.404	4.191	9.271	12.700	254.000	10	8.830	11.100	24.000	32.500
12	323.850	3.962	4.572	9.525	12.700	304.800	12	14.800	17.200	35.200	46.600
14	355.600	3.962	4.775	9.525	12.700	355.600	14	15.200	23.000	45.400	59.810
16	406.400	3.962	4.775	9.525	12.700	406.400	16	25.600	30.200	59.400	78.620
18	457.200	3.962	4.775	9.525	12.700	457.200	18	33.430	38.200	75.400	99.800
20	508.000	4.775	5.537	9.525	12.700	508.000	20	50.420	54.600	93.300	124.010
22	558.800	4.775	5.537	9.525	12.700	558.800	22	61.060	66.200	113.000	150.000
24	609.600	5.537	6.350	9.525	12.700	609.600	24	86.980	90.400	135.000	179.000

Long Radius Elbows

45° 長徑彎頭

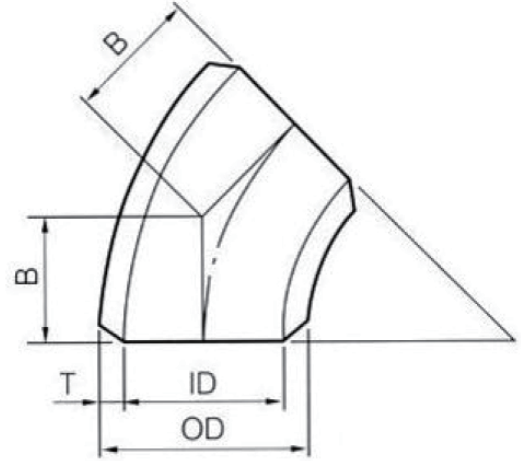
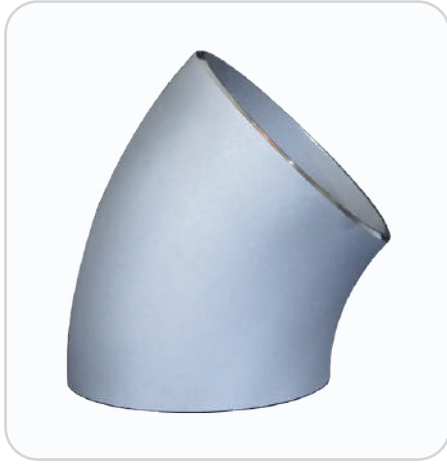


DIMENSIONS							(unit: mm)	WEIGHTS					(unit: kg)
Nominal Pipe Size (NPS)	Outside Dia. (OD)	Wall Thickness (T)				Center to END B	Nominal Pipe Size (NPS)	Sch. 5S	Sch. 10S	Sch. 40S	Sch. 80S		
		Sch. 5S	Sch. 10S	Sch. 40S	Sch. 80S								
1/2	21.336	1.651	2.108	2.769	3.734	15.875	1/2	0.024	0.030	0.037	0.045		
3/4	26.670	1.651	2.108	2.870	3.912	11.125	3/4	0.031	0.030	0.037	0.045		
1	33.401	1.651	2.769	3.378	4.547	22.225	1	0.039	0.080	0.095	0.128		
1 1/4	42.164	1.651	2.769	3.556	4.851	25.400	1 1/4	0.063	0.100	0.125	0.167		
1 1/2	48.260	1.651	2.769	3.683	5.080	28.448	1 1/2	0.085	0.140	0.182	0.242		
2	60.325	1.651	2.769	3.912	5.537	35.052	2	0.143	0.235	0.326	0.447		
2 1/2	73.025	2.108	3.048	5.156	7.010	44.450	2 1/2	0.288	0.393	0.645	0.850		
3	88.900	2.108	3.048	5.486	7.620	50.800	3	0.405	0.580	1.000	1.370		
3 1/2	101.600	2.108	3.048	5.740	8.077	57.150	3 1/2	0.540	0.775	1.410	1.950		
4	114.300	2.108	3.048	6.020	8.560	63.500	4	0.696	1.000	1.910	2.650		
5	141.300	2.769	3.404	6.553	9.525	79.248	5	1.420	1.710	3.250	4.620		
6	168.275	2.769	3.404	7.112	10.973	95.250	6	2.010	2.450	5.050	7.650		
8	219.075	2.769	3.759	8.179	12.700	127.000	8	3.530	4.740	10.100	15.400		
10	273.050	3.404	4.191	9.271	12.700	158.750	10	6.620	8.300	18.000	24.500		
12	323.850	3.962	4.572	9.525	12.700	190.500	12	11.100	12.500	26.500	35.000		



Long Radius Elbows

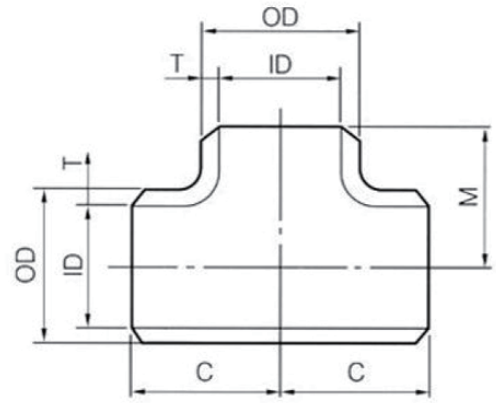
45° 長徑彎頭 - 2



DIMENSIONS						(unit: mm)	WEIGHTS					(unit: kg)
Nominal Pipe Size (NPS)	Outside Dia. (OD)	Wall Thickness (T)				Center to END B	Nominal Pipe Size (NPS)	Sch. 10S	Sch. 20S	Std	XS	
		Sch. 10S	Sch. 20S	Std	XS							
14	355.600	4.775	7.925	9.525	12.700	222.250	14	17.300	28.300	34.000	45.000	
16	406.400	4.775	7.925	9.525	12.700	254.000	16	22.600	37.000	44.500	59.000	
18	457.200	4.775	7.925	9.525	12.700	285.750	18	28.700	47.000	56.500	75.000	
20	508.000	5.537	9.525	9.525	12.700	317.500	20	41.000	69.900	69.900	92.500	
22	558.800	5.537	9.525	9.525	12.700	342.900	22	49.700	85.000	85.000	111.000	
24	609.600	6.350	9.525	9.525	12.700	381.000	24	68.000	100.000	100.000	134.000	
26	660.400	7.925	12.700	9.525	12.700	406.400	26	99.000	158.000	119.000	158.000	
28	711.200	7.925	12.700	9.525	12.700	438.150	28	115.000	183.000	138.000	183.000	
30	762.200	7.925	12.700	9.525	12.700	469.900	30	132.000	210.000	159.000	210.000	
32	812.800	7.925	12.700	9.525	12.700	501.650	32	151.000	240.000	181.000	240.000	
34	863.600	7.925	12.700	9.525	12.700	533.400	34	170.000	270.000	204.000	270.000	
36	914.400	7.925	12.700	9.525	12.700	565.150	36	191.000	304.000	229.000	303.000	
38	965.200	7.925		9.525	12.700	599.948	38	213.000		255.000	339.000	
40	1016.000	7.925		9.525	12.700	631.952	40	236.000		283.000	376.000	

Straight Tee

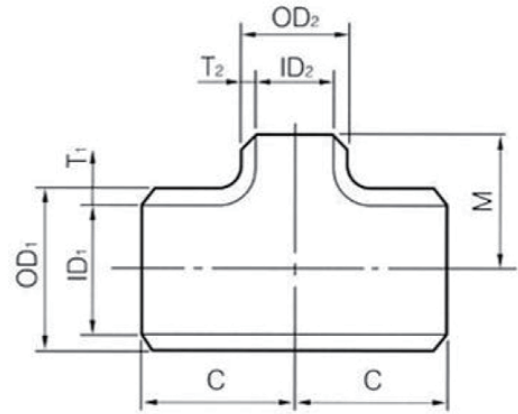
同徑三通



DIMENSIONS							(unit: mm)	WEIGHTS					(unit: kg)
Nominal Pipe Size (NPS)		Outside Dia. (OD)	Wall Thickness (T)				Center to END C.M	Nominal Pipe Size (NPS)	Sch. 5S	Sch. 10S	Sch. 40S	Sch. 80S	
Run	Outlet		Sch. 5S	Sch. 10S	Sch. 40S	Sch. 80S							
1/2	1/2	21.336	1.651	2.108	2.769	3.734	25.400	1/2	0.050	0.065	0.083	0.105	
3/4	3/4	26.670	1.651	2.108	2.870	3.912	28.702	3/4	0.072	0.091	0.110	0.158	
1	1	33.401	1.651	2.769	3.378	4.547	38.100	1	0.120	0.203	0.244	0.315	
1 1/4	1 1/4	42.164	1.651	2.769	3.556	4.851	47.752	1 1/4	0.192	0.327	0.412	0.543	
1 1/2	1 1/2	48.260	1.651	2.769	3.683	5.080	57.150	1 1/2	0.270	0.457	0.596	0.796	
2	2	60.325	1.651	2.769	3.912	5.537	63.500	2	0.370	0.630	0.872	1.210	
2 1/2	2 1/2	73.025	2.108	3.048	5.156	7.010	76.200	2 1/2	0.700	1.000	1.661	2.190	
3	3	88.900	2.108	3.048	5.486	7.620	85.852	3	0.961	1.350	1.901	3.251	
3 1/2	3 1/2	101.600	2.108	3.048	5.740	8.077	95.300	3 1/2	1.150	1.690	3.201	5.300	
4	4	114.300	2.108	3.048	6.020	8.560	104.902	4	1.500	2.150	4.100	5.743	
5	5	141.300	2.769	3.404	6.553	9.525	123.952	5	2.850	3.480	6.550	9.312	
6	6	168.275	2.769	3.404	7.112	10.973	143.002	6	3.920	4.750	9.731	12.870	
8	8	219.075	2.769	3.759	8.179	12.700	177.800	8	5.920	8.450	18.001	27.400	
10	10	273.050	3.404	4.191	9.271	12.700	215.900	10	12.050	14.100	30.810	41.700	
12	12	323.850	3.962	4.572	9.525	12.700	254.000	12	19.200	21.600	44.300	58.500	
14	14	355.600	3.962	4.775	9.525	12.700	279.400	14	27.750	27.300	53.700	70.800	
16	16	406.400	4.191	4.775	9.525	12.700	304.800	16	29.400	33.500	66.300	87.600	
18	18	457.200	4.191	4.775	9.525	12.700	342.900	18	41.350	47.000	84.100	111.000	
20	20	508.000	4.775	5.537	9.525	12.700	381.000	20	53.240	61.000	104.000	138.010	
22	22	558.800	4.775	5.537	9.525	12.700	419.100	22	64.400	73.800	126.000	167.000	
24	24	609.600	5.537	6.350	9.525	12.700	431.800	24	80.350	93.500	140.000	185.000	

Reducing Tee

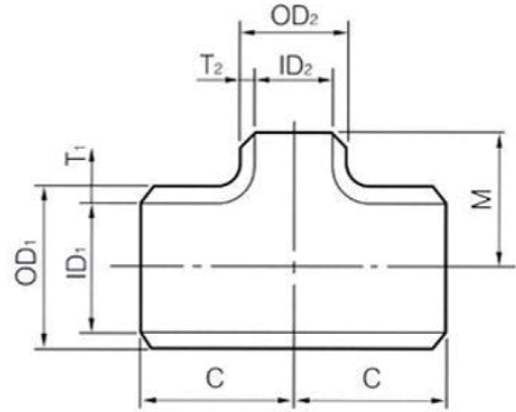
異徑三通



DIMENSIONS												(unit: mm)		WEIGHTS					(unit: kg)
Nominal Pipe Size (NPS)		Outside Dia. (OD1)	Outside Dia. (OD2)	Wall Thickness (T)								Center to END C	Center to END M	Nominal Pipe side (NPS)		Sch. 5S	Sch. 10S	Sch. 40S	Sch. 80S
Run	Outlet			Sch. 5S		Sch. 10S		Sch. 40S		Sch. 80S				Run	Outlet				
				T1	T2	T1	T2	T1	T2	T1	T2								
3/4	1/2	26.670	21.336	1.651	1.651	2.108	2.108	2.870	2.769	3.912	3.734	28.702	28.702	3/4	1/2	0.065	0.083	0.115	0.150
1	1/2	33.274	21.336	1.651	1.651	2.769	2.108	3.378	2.769	4.547	3.734	38.100	38.100	1	1/2	0.110	0.187	0.218	0.280
1	3/4	33.401	26.670	1.651	1.651	2.769	2.108	3.378	2.870	4.547	3.912	38.100	38.100	1	3/4	0.110	0.187	0.227	0.300
1 1/4	3/4	42.164	26.670	1.651	1.651	2.769	2.108	3.556	2.870	4.851	3.912	47.752	47.752	1 1/4	3/4	0.169	0.300	0.367	0.483
1 1/4	1	42.164	33.401	1.651	1.651	2.769	2.769	3.556	3.378	4.851	4.547	47.752	47.752	1 1/4	1	0.169	0.312	0.389	0.500
1 1/2	1/2	48.260	21.336	1.651	1.651	2.769	2.108	3.683	2.769	5.080	3.734	57.150	57.150	1 1/2	1/2	0.233	0.396	0.518	0.700
1 1/2	3/4	48.260	26.670	1.651	1.651	2.769	2.108	3.683	2.870	5.080	3.912	57.150	57.150	1 1/2	3/4	0.233	0.395	0.518	0.700
1 1/2	1	48.260	33.401	1.651	1.651	2.769	2.769	3.683	3.378	5.080	4.547	57.150	57.150	1 1/2	1	0.253	0.420	0.545	0.725
1 1/2	1 1/4	48.260	42.164	1.651	1.651	2.769	2.769	3.683	3.556	5.080	4.851	57.150	57.150	1 1/2	1 1/4	0.253	0.422	0.574	0.765
2	3/4	60.325	26.670	1.651	1.651	2.769	0.838	3.912	2.870	5.537	3.912	63.500	44.450	2	3/4	0.323	0.542	0.742	1.000
2	1	60.325	33.401	1.651	1.651	2.769	2.769	3.912	3.378	5.537	4.547	63.500	50.800	2	1	0.323	0.542	0.742	1.000
2	1 1/4	60.325	42.164	1.651	1.651	2.769	2.769	3.912	3.556	5.537	4.851	63.500	57.150	2	1 1/4	0.340	0.571	0.800	1.050
2	1 1/2	60.325	48.260	1.651	1.651	2.769	2.769	3.912	3.683	5.537	5.080	63.500	60.452	2	1 1/2	0.353	0.592	0.826	1.110
2 1/2	1 1/2	73.025	48.260	2.108	1.651	3.048	2.769	5.156	3.683	7.010	5.080	76.200	66.802	2 1/2	1 1/2	0.620	0.895	1.450	1.901
2 1/2	2	73.025	60.325	2.108	1.651	3.048	2.769	5.156	3.912	7.010	5.537	76.200	69.850	2 1/2	2	0.648	0.937	1.531	1.890
3	1 1/2	88.900	48.260	2.108	1.651	3.048	2.769	5.486	3.683	7.620	5.080	79.502	73.152	3	1 1/2	0.800	1.200	2.052	2.750
3	2	88.900	60.325	2.108	1.651	3.048	2.769	5.486	3.912	7.620	5.537	85.852	76.200	3	2	0.850	1.235	2.163	2.850
3	2 1/2	88.900	73.025	2.108	2.108	3.048	3.048	5.486	5.156	7.620	7.010	85.852	82.550	3	2 1/2	0.890	1.312	2.294	3.054
4	1 1/2	114.300	48.260	2.108	1.651	3.048	2.769	6.020	3.683	8.560	5.080	104.902	85.852	4	1 1/2	1.310	1.883	3.520	4.890

Reducing Tee

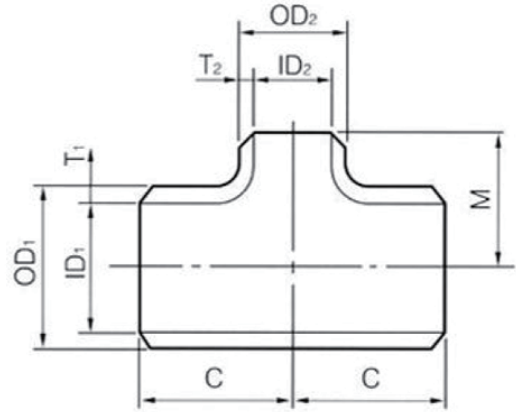
異徑三通



DIMENSIONS												(unit: mm)		WEIGHTS					(unit: kg)	
Nominal Pipe Size (NPS)		Outside Dia. (OD1)	Outside Dia. (OD2)	Wall Thickness (T)								Center to END C	Center to END M	Nominal Pipe side (NPS)		Sch. 5S	Sch. 10S	Sch. 40S	Sch. 80S	
Run	Outlet			Sch. 5S		Sch. 10S		Sch. 40S		Sch. 80S				Run	Outlet					
		T1	T2	T1	T2	T1	T2	T1	T2											
4	2	114.300	60.325	2.108	1.651	3.048	2.769	6.020	3.912	8.560	5.537	104.902	88.900	4	2	1.310	1.883	3.521	4.890	
4	2 1/2	114.300	73.025	2.108	2.108	3.048	3.048	6.020	5.156	8.560	7.010	104.902	95.250	4	2 1/2	1.351	1.951	3.701	5.100	
4	3	114.300	88.900	2.108	2.108	3.048	3.048	6.020	5.486	8.560	7.620	104.902	98.552	4	3	1.401	2.000	3.832	5.312	
5	3	141.300	88.900	2.769	2.108	3.404	3.048	6.553	5.486	9.525	7.620	123.952	111.252	5	3	2.550	3.134	5.853	8.285	
5	4	141.300	114.300	2.769	2.108	3.404	3.048	6.553	6.020	9.525	8.560	123.952	117.602	5	4	2.652	3.262	6.144	8.714	
6	2 1/2	168.275	73.025	2.769	2.108	3.404	3.048	7.112	5.156	10.973	7.010	143.002	120.650	6	2 1/2	3.420	4.200	8.500	12.412	
6	3	168.275	88.900	2.769	2.108	3.404	3.048	7.112	5.486	10.973	7.620	143.002	123.952	6	3	3.420	4.200	8.500	12.412	
6	4	168.275	114.300	2.769	2.108	3.404	3.048	7.112	6.020	10.973	8.560	143.002	130.302	6	4	3.531	4.341	8.800	13.000	
6	5	168.275	141.300	2.769	2.769	3.404	3.404	7.112	6.553	10.973	9.525	143.002	136.652	6	5	3.690	4.562	9.200	13.832	
8	4	219.075	114.300	2.769	2.108	3.759	3.048	8.179	6.020	12.700	8.560	177.800	155.702	8	4	5.500	7.485	15.700	24.012	
8	5	219.075	141.300	2.769	2.769	3.759	3.404	8.179	6.533	12.700	9.525	177.800	162.052	8	5	5.660	7.706	16.312	23.901	
8	6	219.075	168.275	2.769	2.769	3.759	3.404	8.179	7.112	12.700	10.973	177.800	168.402	8	6	5.830	7.912	16.813	25.513	
10	5	273.050	141.300	3.404	2.769	4.191	3.404	9.271	6.553	12.700	9.525	215.900	190.500	10	5	10.000	12.640	27.100	37.100	
10	6	273.050	168.275	3.404	2.769	4.191	3.404	9.271	7.112	12.700	10.973	215.900	193.802	10	6	10.300	12.800	27.612	37.612	
10	8	273.050	219.075	3.404	2.769	4.191	3.759	9.271	8.179	12.700	12.700	215.900	203.200	10	8	10.500	13.310	28.931	39.522	
12	6	323.050	168.275	3.962	2.769	4.572	3.404	9.525	7.112	12.700	10.973	254.000	219.202	12	6	16.500	19.000	39.141	50.900	
12	8	323.850	219.075	3.962	2.769	4.572	3.759	9.525	8.179	12.700	12.700	254.000	228.600	12	8	17.000	19.500	40.200	53.000	
12	10	323.850	273.050	3.962	2.642	4.572	4.191	9.525	9.271	12.700	12.700	254.000	241.300	12	10	17.810	20.500	42.200	55.900	

Reducing Tee

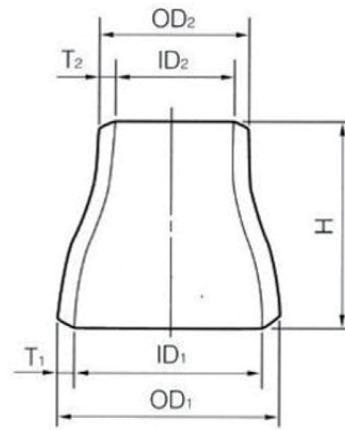
異徑三通 - 2



DIMENSIONS (unit: mm)												WEIGHTS (unit: kg)							
Nominal Pipe Size (NPS)		Outside Dia. (OD1)	Outside Dia. (OD2)	Wall Thickness (T)								Center to END C	Center to END M	Nominal Pipe side (NPS)	Wall Thickness (T)				
Run	Ouelet			Sch. 5S		Sch. 20S		Std.		XS					Run	Oue-let	Sch. 10S	Sch. 20S	Std.
				T1	T2	T1	T2	T1	T2	T4	T2								
14	8	355.600	219.075	4.775	3.759	7.925	6.350	9.525	8.179	12.700	12.700	279.400	247.650	14	8	25.000	40.100	48.390	64.500
14	10	355.600	273.050	4.775	4.191	7.925	6.350	9.525	9.271	12.700	12.700	279.400	257.302	14	10	25.600	41.700	50.200	67.000
14	12	355.600	323.850	4.775	4.572	7.925	6.350	9.525	9.525	12.700	12.700	279.400	270.002	14	12	26.400	43.400	52.200	69.012
16	10	406.400	273.050	4.775	4.191	7.925	6.350	9.525	9.271	12.700	12.700	304.800	282.702	16	10	31.990	51.200	61.600	81.600
16	12	406.400	323.850	4.775	4.572	7.925	6.350	9.525	9.525	12.700	12.700	304.800	295.402	16	12	32.100	53.850	63.600	84.100
16	14	406.400	355.600	4.775	4.775	7.925	7.925	9.525	9.525	12.700	12.700	304.800	304.800	16	14	33.000	54.100	65.100	86.000
18	12	457.200	323.850	4.775	4.572	7.925	6.350	9.525	9.525	12.700	12.700	342.900	320.802	18	12	40.500	65.600	78.500	104.000
18	14	457.200	355.600	4.775	4.775	7.925	7.925	9.525	9.525	12.700	12.700	342.900	330.200	18	14	41.200	66.821	80.300	106.000
18	16	457.200	406.400	4.775	4.775	7.925	7.925	9.525	9.525	12.700	12.700	342.900	330.200	18	16	41.800	67.821	81.500	108.000
20	14	508.800	355.600	5.537	4.775	9.525	7.925	9.525	9.525	12.700	12.700	381.000	355.600	20	14	58.000	97.410	97.200	129.000
20	16	508.800	406.400	5.537	4.775	9.525	7.925	9.525	9.525	12.700	12.700	381.000	355.600	20	16	58.300	98.600	98.600	131.000
20	18	508.800	457.200	5.537	4.775	9.525	7.925	9.525	9.525	12.700	12.700	381.000	368.300	20	18	59.000	100.000	100.000	134.000
22	16	558.800	406.400	5.537	4.775	9.525	7.925	9.525	9.525	12.700	12.700	419.100	381.000	22	16	70.000	118.140	118.140	156.000
22	18	558.800	457.200	5.537	4.775	9.525	7.925	9.525	9.525	12.700	12.700	419.100	393.700	22	18	70.700	120.000	120.000	159.000
22	20	558.800	508.000	5.537	5.537	9.525	9.525	9.525	9.525	12.700	12.700	419.100	406.400	22	20	72.900	123.000	123.000	163.000
24	16	609.600	406.400	6.350	4.775	9.525	7.925	9.525	9.525	12.700	12.700	431.800	406.400	24	16	88.300	134.180	134.000	177.090
24	18	609.600	457.200	6.350	4.775	9.525	7.925	9.525	9.525	12.700	12.700	431.800	419.100	24	18	88.300	134.180	134.000	177.090
24	20	609.600	508.000	6.350	5.537	9.525	9.525	9.525	9.525	12.700	12.700	431.800	431.800	24	20	90.300	137.160	137.000	181.000
24	22	609.600	558.800	6.350	5.537	9.525	9.525	9.525	9.525	12.700	12.700	431.800	431.800	24	22	91.100	138.500	138.000	183.000

Concentric Reducers

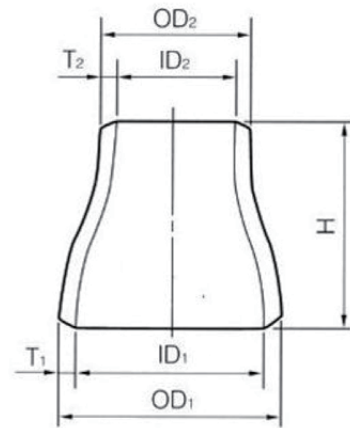
同心大小頭



DIMENSIONS (unit: mm)											WEIGHTS (unit: kg)					
Nominal Pipe Size (NPS)	Outside Dia. (OD1)	Outside Dia. (OD2)	Wall Thickness (T)								Length H	Nominal Pipe Size (NPS)	Sch. 5S	Sch. 10S	Sch. 40S	Sch. 80S
			Sch. 5S		Sch. 10S		Std. 40S		Sch. 80S							
			T1	T2	T1	T2	T1	T2	T1	T2						
3/4X1/2	26.670	21.336	1.651	1.651	2.108	2.108	2.870	2.769	3.912	3.734	38.100	3/4X1/2	0.034	0.043	0.060	0.075
1X1/2	33.401	21.336	1.651	1.651	2.769	2.108	3.378	2.769	4.547	3.734	50.800	1X1/2	0.060	0.086	0.110	0.133
1X3/4	33.401	26.670	1.651	1.651	2.769	2.108	3.378	2.870	4.547	3.912	50.800	1X3/4	0.060	0.095	0.120	0.145
1 1/4X1	42.164	33.401	1.651	1.651	2.769	2.769	3.556	3.378	4.851	4.547	50.800	1 1/4X1	0.066	0.122	0.157	0.206
1 1/2X1/2	48.260	21.336	1.651	1.651	2.769	2.108	3.683	2.769	5.080	3.734	63.500	1 1/2X1/2	0.090	0.142	0.183	0.242
1 1/2X3/4	48.260	26.670	1.651	1.651	2.769	2.108	3.683	2.870	5.080	3.912	63.500	1 1/2X3/4	0.095	0.153	0.203	0.266
1 1/2X1	48.387	33.401	1.651	1.651	2.769	2.769	3.683	3.378	5.080	4.547	63.500	1 1/2X1	0.103	0.165	0.219	0.290
1 1/2X1 1/4	48.260	42.164	1.651	1.651	2.769	2.769	3.683	3.556	5.080	4.851	63.500	1 1/2X1 1/4	0.115	0.184	0.243	0.324
2X3/4	60.325	26.670	1.651	1.651	2.769	2.108	3.912	2.870	5.537	3.912	76.200	2X3/4	0.120	0.215	0.300	0.410
2X1	60.325	33.401	2.108	1.651	2.769	2.769	3.912	3.378	5.537	4.547	76.200	2X1	0.143	0.233	0.322	0.438
2X1 1/4	60.325	42.164	2.108	1.651	2.769	2.769	3.912	3.556	5.537	4.851	76.200	2X1 1/4	0.156	0.254	0.352	0.478
2X1 1/2	60.325	48.260	2.108	1.651	2.769	2.769	3.912	3.683	5.537	5.080	76.200	2X1 1/2	0.164	0.269	0.372	0.508
2 1/2X1	73.025	33.401	2.108	1.651	3.048	2.769	5.156	3.378	7.010	4.547	88.900	2 1/2X1	0.256	0.370	0.630	0.790
2 1/2X1 1/4	73.025	42.164	2.108	1.651	3.048	2.769	5.156	3.556	7.010	4.851	88.900	2 1/2X1 1/4	0.276	0.370	0.630	0.789
2 1/2X1 1/2	73.025	48.260	2.108	1.651	3.048	2.769	5.156	3.683	7.010	5.080	88.900	2 1/2X1 1/2	0.281	0.385	0.660	0.831
2 1/2X2	73.025	60.325	2.108	1.651	3.048	2.769	5.156	3.912	7.010	5.537	88.900	2 1/2X2	0.307	0.426	0.724	0.919
3X1	88.900	33.401	2.108	1.651	3.048	2.769	5.486	3.378	7.620	4.547	88.900	3X1	0.281	0.408	0.716	0.888
3X1 1/4	88.900	42.164	2.108	1.651	3.048	2.769	5.486	3.556	7.620	4.851	88.900	3X1 1/4	0.300	0.431	0.753	0.956
3X1 1/2	88.900	48.260	2.108	1.651	3.048	2.769	5.486	3.683	7.620	5.080	88.900	3X1 1/2	0.315	0.449	0.783	1.041
3X2	88.900	60.325	2.108	1.651	3.048	2.769	5.486	3.912	7.620	5.537	88.900	3X2	0.339	0.484	0.846	1.132
3X2 1/2	88.900	73.025	2.108	2.108	3.048	2.769	5.486	5.156	7.620	7.010	88.900	3X2 1/2	0.376	0.522	0.932	1.233
4X1 1/2	114.300	48.260	2.108	1.651	3.048	2.769	6.020	3.683	8.560	5.080	101.600	4X1 1/2	0.435	0.630	1.181	1.630
4X2	114.300	60.325	2.108	1.651	3.048	2.769	6.020	3.912	8.560	5.537	101.600	4X2	0.464	0.665	1.273	1.764
4X2 1/2	114.300	73.025	2.108	2.108	3.048	3.048	6.020	5.156	8.560	7.010	101.600	4X2 1/2	0.500	0.706	1.369	1.863
4X3	114.300	88.900	2.108	2.108	3.048	3.048	6.020	5.486	8.560	7.620	101.600	4X3	0.528	0.758	1.450	2.021

Concentric Reducers

同心大小頭

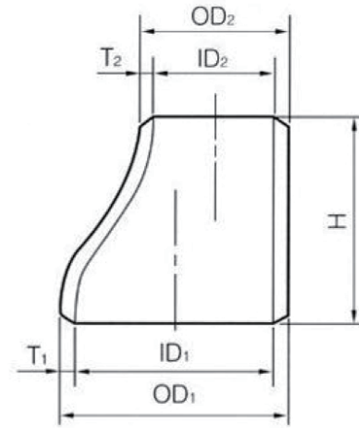


DIMENSIONS											(unit: mm)
Nominal Pipe Size (NPS)	Outside Dia. (OD1)	Outside Dia. (OD2)	Wall Thickness (T)								Length H
			Sch. 5S		Sch. 10S		Std.40S		Sch. 80S		
			T1	T2	T1	T2	T1	T2	T1	T2	
5X3	141.300	88.900	2.769	2.108	3.404	3.048	6.553	5.486	9.525	7.620	127.000
5X4	141.300	114.300	2.769	2.108	3.404	3.048	6.553	6.020	9.525	8.560	127.000
6X2 1/2	168.275	73.025	2.769	2.108	3.404	3.048	7.112	5.156	10.973	7.010	139.700
6X3	168.275	88.900	2.769	2.108	3.404	3.048	7.112	5.486	10.973	7.620	139.700
6X4	168.275	114.300	2.769	2.108	3.404	3.048	7.112	6.020	10.973	8.560	139.700
6X5	168.275	141.300	2.769	2.769	3.404	3.404	7.112	6.553	10.973	9.525	139.700
8X4	219.075	114.300	2.769	2.108	3.759	3.048	8.179	6.020	12.700	8.560	152.400
8X5	219.075	141.300	2.769	2.769	3.759	3.404	8.179	6.553	12.700	9.525	152.400
8X6	219.075	168.275	2.769	2.769	3.759	3.404	8.179	7.112	12.700	10.973	152.400
10X5	273.050	141.300	3.404	2.769	4.191	3.404	9.271	6.553	12.700	9.525	177.800
10X6	273.050	168.275	3.404	2.769	4.191	3.404	9.271	7.112	12.700	10.973	177.800
10X8	273.050	219.075	3.404	2.769	4.191	3.759	9.271	8.179	12.700	12.700	177.800
12X6	323.850	168.275	3.962	2.769	4.572	3.404	9.525	7.112	12.700	10.973	203.200
12X8	323.850	219.075	3.962	2.769	4.572	3.759	9.525	8.179	12.700	12.700	203.200
12X10	323.850	273.050	3.962	3.404	4.572	4.191	9.525	9.271	12.700	12.700	203.200

WEIGHTS					(unit: kg)
Nominal Pipe Size (NPS)	Sch. 5S	Sch. 10S	Sch. 40S	Sch. 80S	
5X3	0.991	1.221	2.269	3.185	
5X4	1.107	1.334	2.500	3.523	
6X2 1/2	1.116	1.351	2.741	4.512	
6X3	1.243	1.532	3.040	4.558	
6X4	1.342	1.653	3.300	4.957	
6X5	1.450	1.780	3.570	5.400	
8X4	1.800	2.434	5.100	7.700	
8X5	1.901	2.573	5.405	8.142	
8X6	2.012	2.722	5.710	8.635	
10X5	2.823	3.979	8.423	11.340	
10X6	3.304	4.142	8.780	11.821	
10X8	3.591	4.490	9.580	12.899	
12X6	4.969	5.921	11.802	16.010	
12X8	5.456	6.312	12.700	16.700	
12X10	5.833	6.781	13.606	18.000	

Eccentric Reducers

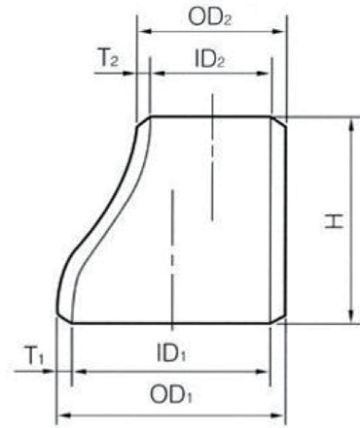
偏心大小頭



DIMENSIONS											WEIGHTS					
Nominal Pipe Size (NPS)	Outside Dia. (OD1)	Outside Dia. (OD2)	Wall Thickness (T)								Length H	Nominal Pipe Size (NPS)				
			Sch. 5S		Sch. 10S		Std.40S		Sch. 80S				Sch. 5S	Sch. 10S	Sch. 40S	Sch. 80S
			T1	T2	T1	T2	T1	T2	T1	T2						
3/4X1/2	26.670	21.336	1.651	1.651	2.108	2.108	2.870	2.769	3.912	3.734	38.100	3/4X1/2	0.034	0.043	0.060	0.075
1X1/2	33.401	21.336	1.651	1.651	2.769	2.108	3.378	2.769	4.547	3.734	50.800	1X1/2	0.060	0.086	0.110	0.133
1X3/4	33.401	26.670	1.651	1.651	2.769	2.108	3.378	2.870	4.547	3.912	50.800	1X3/4	0.060	0.095	0.120	0.145
1 1/4X1	42.164	33.401	1.651	1.651	2.769	2.769	3.556	3.378	4.851	4.547	50.800	1 1/4X1	0.066	0.122	0.157	0.206
1 1/2X1/2	48.260	21.336	1.651	1.651	2.769	2.108	3.683	2.769	5.080	3.734	63.500	1 1/2X1/2	0.090	0.142	0.183	0.242
1 1/2X3/4	48.260	26.670	1.651	1.651	2.769	2.108	3.683	2.870	5.080	3.912	63.500	1 1/2X3/4	0.095	0.153	0.203	0.266
1 1/2X1	48.387	33.401	1.651	1.651	2.769	2.769	3.683	3.378	5.080	4.547	63.500	1 1/2X1	0.103	0.165	0.219	0.290
1 1/2X1 1/4	48.260	42.164	1.651	1.651	2.769	2.769	3.683	3.556	5.080	4.851	63.500	1 1/2X1 1/4	0.115	0.184	0.243	0.324
2X3/4	60.325	26.670	1.651	1.651	2.769	2.108	3.912	2.870	5.537	3.912	76.200	2X3/4	0.120	0.215	0.300	0.410
2X1	60.325	33.401	2.108	1.651	2.769	2.769	3.912	3.378	5.537	4.547	76.200	2X1	0.143	0.233	0.322	0.438
2X1 1/4	60.325	42.164	2.108	1.651	2.769	2.769	3.912	3.556	5.537	4.851	76.200	2X1 1/4	0.156	0.254	0.352	0.478
2X1 1/2	60.325	48.260	2.108	1.651	2.769	2.769	3.912	3.683	5.537	5.080	76.200	2X1 1/2	0.164	0.269	0.372	0.508
2 1/2X1	73.025	33.401	2.108	1.651	3.048	2.769	5.156	3.378	7.010	4.547	88.900	2 1/2X1	0.256	0.370	0.630	0.790
2 1/2X1 1/4	73.025	42.164	2.108	1.651	3.048	2.769	5.156	3.556	7.010	4.851	88.900	2 1/2X1 1/4	0.276	0.370	0.630	0.789
2 1/2X1 1/2	73.025	48.260	2.108	1.651	3.048	2.769	5.156	3.683	7.010	5.080	88.900	2 1/2X1 1/2	0.281	0.385	0.660	0.831
2 1/2X2	73.025	60.325	2.108	1.651	3.048	2.769	5.156	3.912	7.010	5.537	88.900	2 1/2X2	0.307	0.426	0.724	0.919
3X1	88.900	33.401	2.108	1.651	3.048	2.769	5.486	3.378	7.620	4.547	88.900	3X1	0.281	0.408	0.716	0.888
3X1 1/4	88.900	42.164	2.108	1.651	3.048	2.769	5.486	3.556	7.620	4.851	88.900	3X1 1/4	0.300	0.431	0.753	0.956
3X1 1/2	88.900	48.260	2.108	1.651	3.048	2.769	5.486	3.683	7.620	5.080	88.900	3X1 1/2	0.315	0.449	0.783	1.041
3X2	88.900	60.325	2.108	1.651	3.048	2.769	5.486	3.912	7.620	5.537	88.900	3X2	0.339	0.484	0.846	1.132
3X2 1/2	88.900	73.025	2.108	2.108	3.048	2.769	5.486	5.156	7.620	7.010	88.900	3X2 1/2	0.376	0.522	0.932	1.233
4X1 1/2	114.300	48.260	2.108	1.651	3.048	2.769	6.020	3.683	8.560	5.080	101.600	4X1 1/2	0.435	0.630	1.181	1.630
4X2	114.300	60.325	2.108	1.651	3.048	2.769	6.020	3.912	8.560	5.537	101.600	4X2	0.464	0.665	1.273	1.764
4X2 1/2	114.300	73.025	2.108	2.108	3.048	3.048	6.020	5.156	8.560	7.010	101.600	4X2 1/2	0.500	0.706	1.369	1.863
4X3	114.300	88.900	2.108	2.108	3.048	3.048	6.020	5.486	8.560	7.620	101.600	4X3	0.528	0.758	1.450	2.021

Eccentric Reducers

偏心大小頭

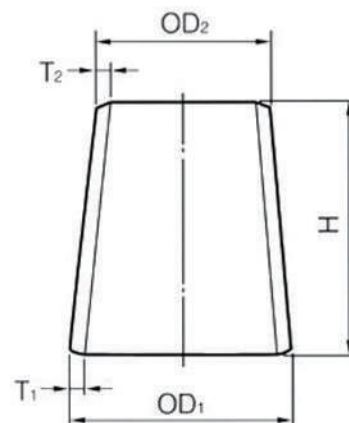


DIMENSIONS											(unit: mm)
Nominal Pipe Size (NPS)	Outside Dia. (OD1)	Outside Dia. (OD2)	Wall Thickness (T)								Length H
			Sch. 5S		Sch. 10S		Std.40S		Sch. 80S		
			T1	T2	T1	T2	T1	T2	T1	T2	
5X3	141.300	88.900	2.769	2.108	3.404	3.048	6.553	5.486	9.525	7.620	127.000
5X4	141.300	114.300	2.769	2.108	3.404	3.048	6.553	6.020	9.525	8.560	127.000
6X2 1/2	168.275	73.025	2.769	2.108	3.404	3.048	7.112	5.156	10.973	7.010	139.700
6X3	168.275	88.900	2.769	2.108	3.404	3.048	7.112	5.486	10.973	7.620	139.700
6X4	168.275	114.300	2.769	2.108	3.404	3.048	7.112	6.020	10.973	8.560	139.700
6X5	168.275	141.300	2.769	2.769	3.404	3.404	7.112	6.553	10.973	9.525	139.700
8X4	219.075	114.300	2.769	2.108	3.759	3.048	8.179	6.020	12.700	8.560	152.400
8X5	219.075	141.300	2.769	2.769	3.759	3.404	8.179	6.553	12.700	9.525	152.400
8X6	219.075	168.275	2.769	2.769	3.759	3.404	8.179	7.112	12.700	10.973	152.400
10X5	273.050	141.300	3.404	2.769	4.191	3.404	9.271	6.553	12.700	9.525	177.800
10X6	273.050	168.275	3.404	2.769	4.191	3.404	9.271	7.112	12.700	10.973	177.800
10X8	273.050	219.075	3.404	2.769	4.191	3.759	9.271	8.179	12.700	12.700	177.800
12X6	323.850	168.275	3.962	2.769	4.572	3.404	9.525	7.112	12.700	10.973	203.200
12X8	323.850	219.075	3.962	2.769	4.572	3.759	9.525	8.179	12.700	12.700	203.200
12X10	323.850	273.050	3.962	3.404	4.572	4.191	9.525	9.271	12.700	12.700	203.200

WEIGHTS					(unit: kg)
Nominal Pipe Size (NPS)	Sch. 5S	Sch. 10S	Sch. 40S	Sch. 80S	
5X3	0.991	1.221	2.269	3.185	
5X4	1.107	1.334	2.500	3.523	
6X2 1/2	1.116	1.351	2.741	4.512	
6X3	1.243	1.532	3.040	4.558	
6X4	1.342	1.653	3.300	4.957	
6X5	1.450	1.780	3.570	5.400	
8X4	1.800	2.434	5.100	7.700	
8X5	1.901	2.573	5.405	8.142	
8X6	2.012	2.722	5.710	8.635	
10X5	2.823	3.979	8.423	11.340	
10X6	3.304	4.142	8.780	11.821	
10X8	3.591	4.490	9.580	12.899	
12X6	4.969	5.921	11.802	16.010	
12X8	5.456	6.312	12.700	16.700	
12X10	5.833	6.781	13.606	18.000	

Concentric Reducers

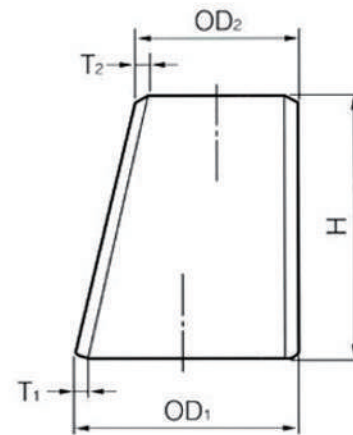
同心大小頭 - 2



DIMENSIONS (unit: mm)													WEIGHTS (unit: kg)					
Nominal Pipe Size (NPS)		Outside Dia. (OD1)	Outside Dia. (OD2)	Wall Thickness (T)								Length H	Nominal Pipe Size (NPS)	Wall Thickness				
				Sch. 10S		Sch. 20S		Std.		XS				Sch. 10s	Sch. 20s	Std	XS	
				T1	T2	T1	T2	T1	T2	T1	T2							
14	12	355.600	323.850	4.775	4.572	7.925	6.350	9.525	9.525	12.700	12.700	330.200	14	12	13.000	21.100	25.400	33.600
14	10	355.600	273.050	4.775	4.191	7.925	6.350	9.525	9.271	12.700	12.700	330.200	14	10	12.100	20.000	23.600	31.200
14	8	355.600	219.075	4.775	3.759	7.925	6.350	9.525	8.179	12.700	12.700	330.200	14	8	11.200	18.100	21.800	28.900
14	6	355.600	168.275	4.775	3.404	7.925	-	9.525	7.112	12.700	12.700	330.200	14	6	11.000	16.800	20.200	26.600
16	14	406.400	355.600	4.775	4.775	7.925	7.925	9.525	9.525	12.700	12.700	355.600	16	14	15.800	25.800	31.000	41.100
16	12	406.400	323.850	4.775	4.572	7.925	6.350	9.525	9.525	12.700	12.700	355.600	16	12	15.200	24.600	30.000	39.135
16	10	406.400	273.050	4.775	4.191	7.925	6.350	9.525	9.271	12.700	12.700	355.600	16	10	14.400	23.210	27.800	36.800
16	8	406.400	219.075	4.775	3.759	7.925	6.350	9.525	8.179	12.700	12.700	355.600	16	8	14.100	21.800	26.200	34.400
18	16	457.200	406.400	4.775	4.775	7.925	7.925	9.525	9.525	12.700	12.700	381.000	18	16	19.200	31.400	37.800	50.100
18	14	457.200	355.600	4.775	4.775	7.925	7.925	9.525	9.525	12.700	12.700	381.000	18	14	18.200	29.700	35.700	47.400
18	12	457.200	323.850	4.775	4.572	7.925	6.350	9.525	9.525	12.700	12.700	381.000	18	12	17.620	28.500	34.300	45.500
18	10	457.200	273.050	4.775	4.191	7.925	6.350	9.525	9.271	12.700	12.700	381.000	18	10	17.010	27.200	33.020	43.100
20	18	508.000	457.200	5.537	4.775	9.525	7.925	9.525	9.525	12.700	12.700	508.000	20	18	33.100	56.400	56.400	75.110
20	16	508.000	406.400	5.537	4.775	9.525	7.925	9.525	9.525	12.700	12.700	508.000	20	16	31.700	53.500	53.500	71.100
20	14	508.000	355.600	5.537	4.775	9.525	7.925	9.525	9.525	12.700	12.700	508.000	20	14	30.000	50.800	50.800	67.400
20	12	508.000	323.850	5.537	4.572	9.525	6.350	9.525	9.525	12.700	12.700	508.000	20	12	28.000	48.001	48.001	63.700
22	20	558.800	508.000	5.537	5.537	9.525	9.525	9.525	9.525	12.700	12.700	508.000	22	20	36.600	62.600	62.600	83.001
22	18	558.800	457.200	5.537	4.775	9.525	7.925	9.525	9.525	12.700	12.700	508.000	22	18	35.000	60.412	60.412	79.200
22	16	558.800	406.400	5.537	4.775	9.525	7.925	9.525	9.525	12.700	12.700	508.000	22	16	33.400	57.100	57.100	75.600
22	14	558.800	355.600	5.537	4.775	9.525	7.925	9.525	9.525	12.700	12.700	508.000	22	14	31.800	54.500	54.500	72.000
24	22	609.600	558.800	6.350	5.537	9.525	9.525	9.525	9.525	12.700	12.700	508.000	24	22	46.000	68.600	68.600	91.000
24	20	609.600	508.000	6.350	5.537	9.525	9.525	9.525	9.525	12.700	12.700	508.000	24	20	44.000	65.700	65.700	87.300
24	18	609.600	457.200	6.350	4.775	9.525	7.925	9.525	9.525	12.700	12.700	508.000	24	18	42.400	63.000	63.000	83.700
24	16	609.600	406.400	6.350	4.775	9.525	7.925	9.525	9.525	12.700	12.700	508.000	24	16	40.700	60.300	60.300	80.100
24	14	609.600	355.600	6.350	4.775	9.525	7.925	9.525	9.525	12.700	12.700	508.000	24	14	39.000	57.612	58.413	76.500

Eccentric Reducers

偏心大小頭 - 2

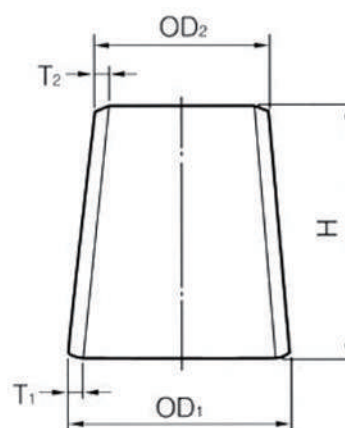


DIMENSIONS												(unit: mm)
Nominal Pipe Size (NPS)	Outside Dia. (OD1)	Outside Dia. (OD2)	Wall Thickness (T)								Length H	
			Sch. 10S		Sch. 20S		Std.		XS			
			T1	T2	T1	T2	T1	T2	T1	T2		
14	12	355.600	323.850	4.775	4.572	7.925	6.350	9.525	9.525	12.700	12.700	330.200
14	10	355.600	273.050	4.775	4.191	7.925	6.350	9.525	9.271	12.700	12.700	330.200
14	8	355.600	219.075	4.775	3.759	7.925	6.350	9.525	8.179	12.700	12.700	330.200
14	6	355.600	168.275	4.775	3.404	7.925	-	9.525	7.112	12.700	12.700	330.200
16	14	406.400	355.600	4.775	4.775	7.925	7.925	9.525	9.525	12.700	12.700	355.600
16	12	406.400	323.850	4.775	4.572	7.925	6.350	9.525	9.525	12.700	12.700	355.600
16	10	406.400	273.050	4.775	4.191	7.925	6.350	9.525	9.271	12.700	12.700	355.600
16	8	406.400	219.075	4.775	3.759	7.925	6.350	9.525	8.179	12.700	12.700	355.600
18	16	457.200	406.400	4.775	4.775	7.925	7.925	9.525	9.525	12.700	12.700	381.000
18	14	457.200	355.600	4.775	4.775	7.925	7.925	9.525	9.525	12.700	12.700	381.000
18	12	457.200	323.850	4.775	4.572	7.925	6.350	9.525	9.525	12.700	12.700	381.000
18	10	457.200	273.050	4.775	4.191	7.925	6.350	9.525	9.271	12.700	12.700	381.000
20	18	508.000	457.200	5.537	4.775	9.525	7.925	9.525	9.525	12.700	12.700	508.000
20	16	508.000	406.400	5.537	4.775	9.525	7.925	9.525	9.525	12.700	12.700	508.000
20	14	508.000	355.600	5.537	4.775	9.525	7.925	9.525	9.525	12.700	12.700	508.000
20	12	508.000	323.850	5.537	4.572	9.525	6.350	9.525	9.525	12.700	12.700	508.000
22	20	558.800	508.000	5.537	5.537	9.525	9.525	9.525	9.525	12.700	12.700	508.000
22	18	558.800	457.200	5.537	4.775	9.525	7.925	9.525	9.525	12.700	12.700	508.000
22	16	558.800	406.400	5.537	4.775	9.525	7.925	9.525	9.525	12.700	12.700	508.000
22	14	558.800	355.600	5.537	4.775	9.525	7.925	9.525	9.525	12.700	12.700	508.000
24	22	609.600	558.800	6.350	5.537	9.525	9.525	9.525	9.525	12.700	12.700	508.000
24	20	609.600	508.000	6.350	5.537	9.525	9.525	9.525	9.525	12.700	12.700	508.000
24	18	609.600	457.200	6.350	4.775	9.525	7.925	9.525	9.525	12.700	12.700	508.000
24	16	609.600	406.400	6.350	4.775	9.525	7.925	9.525	9.525	12.700	12.700	508.000
24	14	609.600	355.600	6.350	4.775	9.525	7.925	9.525	9.525	12.700	12.700	508.000

WEIGHTS						(unit: kg)
Nominal Pipe Size (NPS)	Outside Dia. (OD1)	Outside Dia. (OD2)	Wall Thickness			
			Sch. 10s	Sch. 20s	Std	XS
14	12	355.600	13.000	21.100	25.400	33.600
14	10	355.600	12.100	20.000	23.600	31.200
14	8	355.600	11.200	18.100	21.800	28.900
14	6	355.600	11.000	16.800	20.200	26.600
16	14	406.400	15.800	25.800	31.000	41.100
16	12	406.400	15.200	24.600	30.000	39.135
16	10	406.400	14.400	23.210	27.800	36.800
16	8	406.400	14.100	21.800	26.200	34.400
18	16	457.200	19.200	31.400	37.800	50.100
18	14	457.200	18.200	29.700	35.700	47.400
18	12	457.200	17.620	28.500	34.300	45.500
18	10	457.200	17.010	27.200	33.020	43.100
20	18	508.000	33.100	56.400	56.400	75.110
20	16	508.000	31.700	53.500	53.500	71.100
20	14	508.000	30.000	50.800	50.800	67.400
20	12	508.000	28.000	48.001	48.001	63.700
22	20	558.800	36.600	62.600	62.600	83.001
22	18	558.800	35.000	60.412	60.412	79.200
22	16	558.800	33.400	57.100	57.100	75.600
22	14	558.800	31.800	54.500	54.500	72.000
24	22	609.600	46.000	68.600	68.600	91.000
24	20	609.600	44.000	65.700	65.700	87.300
24	18	609.600	42.400	63.000	63.000	83.700
24	16	609.600	40.700	60.300	60.300	80.100
24	14	609.600	39.000	57.612	58.413	76.500

Concentric Reducers

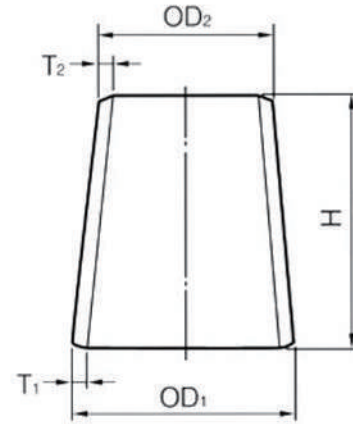
同心大小頭 - 3



DIMENSIONS (unit: mm)												WEIGHTS (unit: kg)						
Nominal Pipe Size (NPS)	Outside Dia. (OD1)	Outside Dia. (OD2)	Wall Thickness								Length H	Nominal Pipe Size (NPS)	Wall Thickness					
			Sch. 10S		Sch. 20S		Std.		XS				Sch. 10s	Sch. 20s	Std.	XS		
			T1	T2	T1	T2	T1	T2	T1	T2								
26	24	660.400	609.600			12.700	9.525	9.525	9.525	12.700	12.700	609.600	26	24		128.280	98.530	128.030
26	20	660.400	508.000			12.700	9.525	9.525	9.525	12.700	12.700	609.600	26	20		118.020	90.650	118.000
26	18	660.400	457.200			12.700	7.925	9.525	9.525	12.700	12.700	609.600	26	18		112.880	86.700	112.660
26	16	660.400	406.400			12.700	7.925	9.525	9.525	12.700	12.700	609.600	26	16		107.760	82.760	107.540
28	26	711.200	660.400			12.700	12.700	9.525	9.525	12.700	12.700	609.600	28	26		138.540	106.410	138.270
28	24	711.200	609.600			12.700	9.525	9.525	9.525	12.700	12.700	609.600	28	24		133.410	102.470	133.150
28	20	711.200	508.000			12.700	9.525	9.525	9.525	12.700	12.700	609.600	28	20		123.150	94.590	122.910
28	18	711.200	457.200			12.700	7.925	9.525	9.525	12.700	12.700	609.600	28	18		118.020	90.650	117.780
30	28	762.000	711.200			12.700	12.700	9.525	9.525	12.700	12.700	609.600	30	28		148.800	114.290	148.510
30	26	762.000	660.400			12.700	12.700	9.525	9.525	12.700	12.700	609.600	30	26		143.670	110.350	143.390
30	24	762.000	609.600			12.700	9.525	9.525	9.525	12.700	12.700	609.600	30	24		138.540	106.410	138.270
30	20	762.000	508.000			12.700	9.525	9.525	9.525	12.700	12.700	609.600	30	20		128.280	98.530	128.030
32	30	812.800	762.000			12.700	12.700	9.525	9.525	12.700	12.700	609.600	32	30		160.010	122.170	158.750
32	28	812.800	711.200			12.700	12.700	9.525	9.525	12.700	12.700	609.600	32	28		153.930	118.230	153.630
32	26	812.800	660.400			12.700	12.700	9.525	9.525	12.700	12.700	609.600	32	26		148.800	114.290	148.510
32	24	812.800	609.600			12.700	9.525	9.525	9.525	12.700	12.700	609.600	32	24		143.670	110.400	143.390
34	32	863.600	812.800			12.700	12.700	9.525	9.525	12.700	12.700	609.600	34	32		169.330	130.060	168.990
34	30	863.600	762.000			12.700	12.700	9.525	9.525	12.700	12.700	609.600	34	30		164.200	126.120	163.880
34	28	863.600	711.200			12.700	12.700	9.525	9.525	12.700	12.700	609.600	34	28		159.050	122.170	158.750
34	26	863.600	660.400			12.700	12.700	9.525	9.525	12.700	12.700	609.600	34	26		153.930	118.510	153.630
36	34	914.400	863.600			12.700	12.700	9.525	9.525	12.700	12.700	609.600	36	34		148.800	138.000	179.240
36	32	914.400	812.800			12.700	12.700	9.525	9.525	12.700	12.700	609.600	36	32		143.670	133.990	174.120
36	30	914.400	762.000			12.700	12.700	9.525	9.525	12.700	12.700	609.600	36	30		169.330	130.060	168.990
36	28	914.400	711.200			12.700	12.700	9.525	9.525	12.700	12.700	609.600	36	28		164.200	126.120	163.880

Concentric Reducers

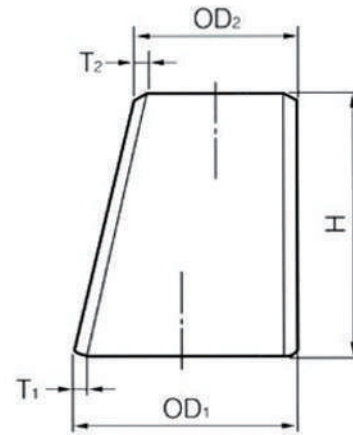
同心大小頭 - 3



DIMENSIONS (unit: mm)												WEIGHTS (unit: kg)						
Nominal Pipe Size (NPS)	Outside Dia. (OD1)	Outside Dia. (OD2)	Wall Thickness								Length H	Nominal Pipe Size (NPS)	Wall Thickness					
			Sch. 10S		Sch. 20S		Std.		XS				Sch. 10s	Sch. 20s	Std	XS		
			T1	T2	T1	T2	T1	T2	T1	T2								
38	36	965.200	914.400					9.525	9.525	12.700	12.700	609.600	38	36		159.050	145.820	189.480
38	34	965.200	863.600					9.525	9.525	12.700	12.700	609.600	38	34		153.930	141.880	184.360
38	32	965.200	812.800					9.525	9.525	12.700	12.700	609.600	38	32		179.600	137.940	179.240
38	30	965.200	762.000					9.525	9.525	12.700	12.700	609.600	38	30		147.460	133.990	174.120
38	28	965.200	711.200					9.525	9.525	12.700	12.700	609.600	38	28		169.330	130.060	169.010
38	26	965.200	660.400					9.525	9.525	12.700	12.700	609.600	38	26		164.200	126.120	163.880
40	38	1016.000	965.200					9.525	9.525	12.700	12.700	609.600	40	38			153.700	199.720
40	34	1016.000	863.600					9.525	9.525	12.700	12.700	609.600	40	36			149.760	194.600
40	36	1016.000	914.400					9.525	9.525	12.700	12.700	609.600	40	34			145.820	189.460
40	32	1016.000	812.800					9.525	9.525	12.700	12.700	609.600	40	32			141.880	184.360
40	30	1016.000	762.000					9.525	9.525	12.700	12.700	609.600	40	30			137.940	179.240

Eccentric Reducers

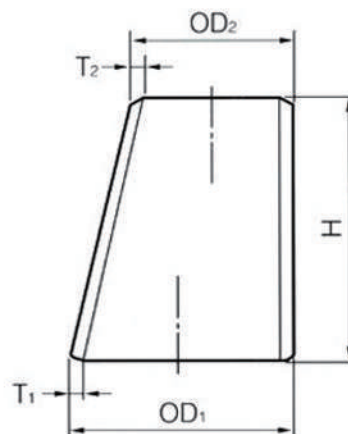
偏心大小頭 - 3



DIMENSIONS (unit: mm)												WEIGHTS (unit: kg)						
Nominal Pipe Size (NPS)	Outside Dia. (OD1)	Outside Dia. (OD2)	Wall Thickness								Length H	Nominal Pipe Size (NPS)	Wall Thickness					
			Sch. 10S		Sch. 20S		Std.		XS				Sch. 10s	Sch. 20s	Std	XS		
			T1	T2	T1	T2	T1	T2	T1	T2								
26	24	660.400	609.600			12.700	9.525	9.525	9.525	12.700	12.700	609.600	26	24		128.280	98.530	128.030
26	20	660.400	508.000			12.700	9.525	9.525	9.525	12.700	12.700	609.600	26	20		118.020	90.650	118.000
26	18	660.400	457.200			12.700	7.925	9.525	9.525	12.700	12.700	609.600	26	18		112.880	86.700	112.660
26	16	660.400	406.400			12.700	7.925	9.525	9.525	12.700	12.700	609.600	26	16		107.760	82.760	107.540
28	26	711.200	660.400			12.700	12.700	9.525	9.525	12.700	12.700	609.600	28	26		138.540	106.410	138.270
28	24	711.200	609.600			12.700	9.525	9.525	9.525	12.700	12.700	609.600	28	24		133.410	102.470	133.150
28	20	711.200	508.000			12.700	9.525	9.525	9.525	12.700	12.700	609.600	28	20		123.150	94.590	122.910
28	18	711.200	457.200			12.700	7.925	9.525	9.525	12.700	12.700	609.600	28	18		118.020	90.650	117.780
30	28	762.000	711.200			12.700	12.700	9.525	9.525	12.700	12.700	609.600	30	28		148.800	114.290	148.510
30	26	762.000	660.400			12.700	12.700	9.525	9.525	12.700	12.700	609.600	30	26		143.670	110.350	143.390
30	24	762.000	609.600			12.700	9.525	9.525	9.525	12.700	12.700	609.600	30	24		138.540	106.410	138.270
30	20	762.000	508.000			12.700	9.525	9.525	9.525	12.700	12.700	609.600	30	20		128.280	98.530	128.030
32	30	812.800	762.000			12.700	12.700	9.525	9.525	12.700	12.700	609.600	32	30		160.010	122.170	158.750
32	28	812.800	711.200			12.700	12.700	9.525	9.525	12.700	12.700	609.600	32	28		153.930	118.230	153.630
32	26	812.800	660.400			12.700	12.700	9.525	9.525	12.700	12.700	609.600	32	26		148.800	114.290	148.510
32	24	812.800	609.600			12.700	9.525	9.525	9.525	12.700	12.700	609.600	32	24		143.670	110.400	143.390
34	32	863.600	812.800			12.700	12.700	9.525	9.525	12.700	12.700	609.600	34	32		169.330	130.060	168.990
34	30	863.600	762.000			12.700	12.700	9.525	9.525	12.700	12.700	609.600	34	30		164.200	126.120	163.880
34	28	863.600	711.200			12.700	12.700	9.525	9.525	12.700	12.700	609.600	34	28		159.050	122.170	158.750
34	26	863.600	660.400			12.700	12.700	9.525	9.525	12.700	12.700	609.600	34	26		153.930	118.510	153.630
36	34	914.400	863.600			12.700	12.700	9.525	9.525	12.700	12.700	609.600	36	34		148.800	138.000	179.240
36	32	914.400	812.800			12.700	12.700	9.525	9.525	12.700	12.700	609.600	36	32		143.670	133.990	174.120
36	30	914.400	762.000			12.700	12.700	9.525	9.525	12.700	12.700	609.600	36	30		169.330	130.060	168.990
36	28	914.400	711.200			12.700	12.700	9.525	9.525	12.700	12.700	609.600	36	28		164.200	126.120	163.880

Eccentric Reducers

偏心大小頭 - 3



DIMENSIONS (unit: mm)												WEIGHTS (unit: kg)						
Nominal Pipe Size (NPS)	Outside Dia. (OD1)	Outside Dia. (OD2)	Wall Thickness								Length H	Nominal Pipe Size (NPS)	Wall Thickness					
			Sch. 10S		Sch. 20S		Std.		XS				Sch. 10s	Sch. 20s	Std.	XS		
			T1	T2	T1	T2	T1	T2	T1	T2								
38	36	965.200	914.400					9.525	9.525	12.700	12.700	609.600	38	36		159.050	145.820	189.480
38	34	965.200	863.600					9.525	9.525	12.700	12.700	609.600	38	34		153.930	141.880	184.360
38	32	965.200	812.800					9.525	9.525	12.700	12.700	609.600	38	32		179.600	137.940	179.240
38	30	965.200	762.000					9.525	9.525	12.700	12.700	609.600	38	30		147.460	133.990	174.120
38	28	965.200	711.200					9.525	9.525	12.700	12.700	609.600	38	28		169.330	130.060	169.010
38	26	965.200	660.400					9.525	9.525	12.700	12.700	609.600	38	26		164.200	126.120	163.880
40	38	1016.000	965.200					9.525	9.525	12.700	12.700	609.600	40	38			153.700	199.720
40	34	1016.000	863.600					9.525	9.525	12.700	12.700	609.600	40	36			149.760	194.600
40	36	1016.000	914.400					9.525	9.525	12.700	12.700	609.600	40	34			145.820	189.460
40	32	1016.000	812.800					9.525	9.525	12.700	12.700	609.600	40	32			141.880	184.360
40	30	1016.000	762.000					9.525	9.525	12.700	12.700	609.600	40	30			137.940	179.240

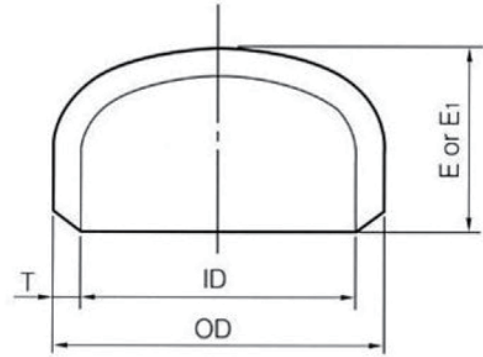


隆源工業股份有限公司
LYCO INDUSTRIAL CO., LTD.

TEL : 05-5973156~8 FAX : +886 5-5973159 E-mail : sales@lyfittings.com.tw
Address: No.98, Daye Rd., Dounan Township, Yunlin County 630, Taiwan

Stainless Steel Caps

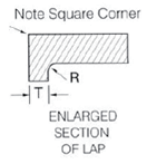
管帽



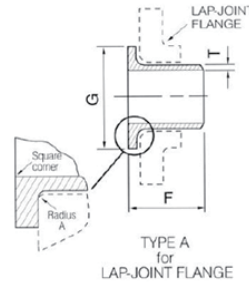
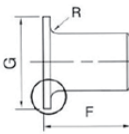
DIMENSIONS							WEIGHTS				
Nominal Pipe Size (NPS)	Outside Dia. (OD)	Wall Thickness (T)				Length E	Nominal Pipe Size (NPS)				
		Sch. 5S	Sch. 10S	Sch. 40S	Sch. 80S			Sch. 5S	Sch. 10S	Sch. 40S	Sch. 80S
		(unit: mm)						(unit: kg)			
1/2	21.336	1.651	2.108	2.769	3.734	25.400	1/2	0.022	0.030	0.040	0.050
3/4	26.670	1.651	2.108	2.870	3.912	25.400	3/4	0.027	0.033	0.047	0.066
1	33.401	1.651	2.769	3.378	4.547	38.100	1	0.053	0.088	0.110	0.140
1 1/4	42.164	1.651	2.769	3.556	4.851	38.100	1 1/4	0.066	0.110	0.140	0.193
1 1/2	48.260	1.651	2.769	3.683	5.080	38.100	1 1/2	0.076	0.127	0.170	0.234
2	60.325	1.651	2.769	3.912	5.537	38.100	2	0.099	0.170	0.234	0.330
2 1/2	73.025	2.108	3.048	5.156	7.010	38.100	2 1/2	0.169	0.232	0.391	0.529
3	88.900	2.108	3.048	5.486	7.620	50.800	3	0.253	0.369	0.660	0.917
3 1/2	101.600	2.108	3.048	5.740	8.077	63.500	3 1/2	0.341	0.520	1.010	1.100
4	114.300	2.108	3.048	6.020	8.560	63.500	4	0.409	0.594	1.200	1.650
5	141.300	2.769	3.404	6.553	9.525	76.200	5	0.805	1.000	1.900	2.780
6	168.275	2.769	3.404	7.112	10.973	88.900	6	1.111	1.391	2.801	4.501
8	219.075	2.769	3.759	8.179	12.700	101.600	8	1.741	2.382	5.201	8.052
10	273.050	3.404	4.191	9.525	12.700	127.000	10	3.264	4.143	9.105	12.490
12	323.850	3.962	4.572	9.525	12.700	152.400	12	5.472	6.395	13.300	17.590
14	355.600		4.775	9.525	12.700	165.100	14		8.001	15.997	21.215
16	406.400		4.775	9.525	12.700	177.800	16		10.000	20.010	26.700
18	457.200		4.775	9.525	12.700	203.200	18		12.800	25.600	34.100
20	508.000		5.537	9.525	12.700	228.600	20		18.543	31.900	43.010
24	609.600		6.350	9.525	12.700	266.700	24		30.123	45.100	60.100

Lap Joint Stub Ends

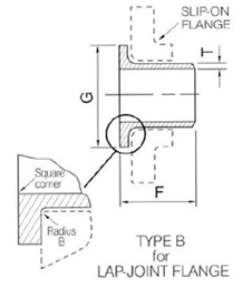
管節



ANSI B16.9



TYPE A for LAP-JOINT FLANGE



TYPE B for LAP-JOINT FLANGE

MSS SP-43

DIMENSIONS							(unit: mm)				WEIGHTS						(unit:kg)									
Nominal Pipe Size (NPS)	Outside Dia. (OD)	Wall Thickness (T)				Dia. of Lap (G)	Length F		Radius R		Nominal Pipe Size (NPS)	F	Sch. 5S	Sch. 10S	Sch. 40S	Sch. 80S	ANSI	MSS	Type A (Max)	Type B (Max)	ANSI	MSS	Sch. 5S	Sch. 10S	Sch. 40S	Sch. 80S
		Sch. 5S	Sch. 10S	Sch. 40S	Sch. 80S		ANSI	MSS	Type A (Max)	Type B (Max)																
1/2	21.336	1.651	2.108	2.769	3.734	34.925	76.200	50.800	3.302	0.762	1/2	ANSI	0.068	0.090	0.136	0.115	MSS	0.059	0.077	1.118	0.127					
3/4	26.670	1.651	2.108	2.870	3.912	42.875	76.200	50.800	3.302	0.762	3/4	ANSI	0.077	0.100	0.181	0.199	MSS	0.068	0.086	0.154	0.168					
1	33.401	1.651	2.769	3.378	4.547	50.800	101.600	50.800	3.302	0.762	1	ANSI	0.145	0.227	0.299	0.385	MSS	0.090	0.140	0.186	0.240					
1 1/4	42.164	1.651	2.769	3.556	4.851	63.500	101.600	50.800	4.826	0.762	1 1/4	ANSI	0.204	0.326	0.412	0.548	MSS	0.131	0.208	0.263	0.349					
1 1/2	48.260	1.651	2.769	3.683	5.080	73.025	101.600	50.800	6.350	0.762	1 1/2	ANSI	0.231	0.367	0.533	0.675	MSS	0.159	0.249	0.376	0.458					
2	60.325	1.651	2.769	3.912	5.537	92.075	152.400	63.500	7.874	0.762	2	ANSI	0.449	0.693	0.992	1.364	MSS	0.245	0.376	0.539	0.743					
2 1/2	73.025	2.108	3.048	5.156	7.010	104.775	152.400	63.500	7.874	0.762	2 1/2	ANSI	0.684	0.924	1.563	2.079	MSS	0.349	0.470	0.797	1.060					
3	88.900	2.108	3.048	5.486	7.620	127.000	152.400	63.500	9.652	0.762	3	ANSI	0.879	1.205	2.134	2.840	MSS	0.467	0.638	1.133	1.508					
4	114.300	2.108	3.048	6.020	8.560	157.175	152.400	76.200	11.176	0.762	4	ANSI	1.191	1.640	3.035	4.227	MSS	0.711	0.978	1.812	2.523					
5	141.300	2.769	3.404	6.553	9.525	185.750	203.200	76.200	11.176	1.524	5	ANSI	2.188	2.582	5.300	7.520	MSS	1.046	1.237	2.537	3.601					
6	168.275	2.769	3.404	7.112	10.973	215.900	203.200	88.900	12.700	1.524	6	ANSI	3.000	3.610	6.900	10.420	MSS	1.621	1.951	3.721	5.570					
8	219.075	2.769	3.759	8.179	12.700	269.875	203.200	101.600	12.700	1.524	8	ANSI	2.962	3.760	10.420	15.860	MSS	2.453	3.103	5.890	10.120					
10	273.050	3.404	4.191	9.271	12.700	323.850	254.000	127.000	12.700	1.524	10	ANSI	7.020	8.450	18.120	24.280	MSS	4.040	4.862	10.420	13.953					
12	323.850	3.962	4.572	9.525	12.700	381.000	254.000	152.400	12.700	1.524	12	ANSI	9.110	10.510	22.200	29.810	MSS	6.600	7.110	14.950	19.930					
14	355.600	3.962	4.775			412.750	304.800	152.400	12.700	1.524	14	ANSI	11.780	14.190	*28.310	**37.800	MSS	6.430	7.750	*15.460	**20.620					
16	406.400	4.191	4.775			469.900	304.800	152.400	12.700	1.524	16	ANSI	14.380	16.380	*32.680	**43.570	MSS	7.910	9.020	*17.980	**23.980					
18	457.200	4.191	4.775			533.400	304.800	152.400	12.700	1.524	18	ANSI	16.510	18.810	*37.530	**50.030	MSS	9.240	10.530	*21.000	**28.000					
20	508.000	4.775	5.537			584.200	304.800	152.400	12.700	1.524	20	ANSI	20.890	24.220	*41.660	**55.550	MSS	11.680	13.540	*23.300	**31.070					
22	558.800	4.775	5.537			641.350	304.800	-	12.700	1.524	22	ANSI	23.200	26.900	*46.280	**61.070	MSS	-	-	* -	* -					
24	609.600	5.537	6.350			692.150	304.800	152.400	12.700	1.524	24	ANSI	29.330	33.630	*50.450	**67.270	MSS	16.520	18.940	*28.410	**37.880					